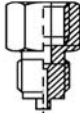
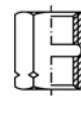
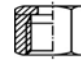



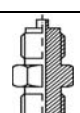
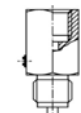


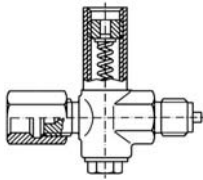


Female-Male 	Thread		Material	Article no.	LH/RH union DIN 16283 	Connection	PN / Tube Ø	Material	Article no.		
	Inner	Outer									
	G 1/8	G 1/4	Brass	7342		G 1/2 left x G 1/2	-	Brass	7425		
		G 1/2	Brass	7343			-	Steel	7426		
	G 1/4	G 1/8	Brass	7387		G 1/2 x M20x1.5 left	-	1.4571	7427		
		G 3/8	Brass	7388			-	Brass	7428		
		G 1/2	Brass	7389			-	Steel	7429		
		G 1/2	1.4571	7390			M 20x1.5 x M 20x1.5 left	Brass	7430		
		1/4 NPT	Brass	7391							
		M 10 x 1	Brass	7392							
		M 12 x 1.5	Brass	7393							
	G 3/8	G 1/4	Brass	7394		Union nut DIN 16 284 	G 1/4	PN 250	Brass	7435	
		G 1/2	Brass	7395				PN 400	Steel	7436	
	G 1/2	G 1/4	Brass	7396			G 1/2	PN 250	Brass	7437	
		G 1/4	1.4571	7397				PN 400	Steel	7438	
		1/4 NPT	Brass	7398			PN 400	1.4571	7439		
		1/4 NPT	1.4571	7399			M 12 x 1.5	PN 250	Brass	7440	
		G 3/8	Brass	7400			M 20 x 1.5	PN 250	Brass	7441	
		G 3/8	1.4571	7401							
		G 1/2	1.4571	7402							
		1/2 NPT	Brass	7404							
		1/2 NPT	1.4571	7403							
		G 3/4	Brass	7337							
	M 12 x 1.5	Brass	7338								
M 20 x 1.5	Brass	7408									
M 12 x 1,5	M 20 x 1.5	1.4571	7344	Nipple DIN 16 284 	for G 1/4	-	Brass	7424			
	G 1/8	Brass	7409		for G 1/2	-	Steel	7431			
	G 1/4	Brass	7327		-	Brass	7432				
	G 3/8	Brass	7328		-	Steel	7433				
M 20 x 1,5	G 1/2	Brass	7329	-	1.4571	7434					
Female-Female 	Both sides female		Material	Article no.	Compression fitting with ferrule 2) 	G 1/4	100/4	Steel	7451		
	G 1/8 x G 1/8	Brass					7452	250/6	Steel	7442	
	G 1/4 x G 1/8	Brass	7453	G 1/2		600/6	Steel	7443			
	G 1/4 x G 1/4	Brass	7454			600/6	1.4571	7444			
	G 1/2 x G 1/4	1.4571	7455			600/8	Steel	7445			
	G 1/2 x G 1/2	Brass	7457			600/8	1.4571	7446			
	G 1/2 x G 1/2	1.4571	7456			600/10	Steel	7447			
	G 1/2 x M 20 x 1.5	Brass	7458			600/10	1.4571	7448			
	G 1/2 x M 20 x 1.5	1.4571	7460			600/12	Steel	7449			
						600/12	1.4571	7450			
Male-Male 	Both sides male		Material	Article no.	Pressure gauge snubber, adjustable 	Connection	Working pressure PN	Material	Article no.		
	G 1/4 x G 1/4	Brass								7464	
	G 1/2 x G 1/2		Brass	7461		G 1/2	250	Brass	8660		
			1.4571	7462			400	Steel	8661		
G 1/2 x 1/2 NPT	1.4571	7463		400	1.4571	8662					
Self-sealing nipples (SS) 	Inner	Outer	Material	Article no.	Manometer rubber cover 	G 1/8	G 1/4	Brass	7466		
							G 1/4	Brass	7467		
	G 1/4	3/8 NPT	Brass	7468		Diam.	Colour	Article no.	63	red	7420
		3/8 NPT	1.4571	7469					63	blue	7421
		G 3/8	Brass	7471					80	blue	7422
		G 3/8	1.4571	7470					100 3)	blue	7423
		G 1/2	Brass	7472							
		G 1/2	1.4571	7473							
		1/2 NPT	Brass	7474							
		1/2 NPT	1.4571	7475							
		M 20x1.5	Brass	7476							

Special design: degreased for oxygen

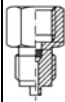
2) Inclusive sealing washer

3) Suitable only for pressure gauges of type series 2 and 6

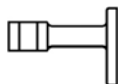
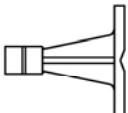
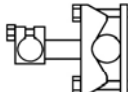

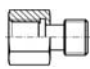
Overpressure protector, adjustable 1)						
	Valve body: Brass Piston: 1.4571 Connection: Union nut G 1/2 Male G 1/2		Valve body: Stainless steel - Piston 1.4571			Degreased 2) Union nut G 1/2 Male G 1/2
	Setting range in bar		Setting range in bar		Article no.	
	0,4 ... 2,5	7352	0,4 ... 2,5	7358	7368	7364
	2 ... 6	7353	2 ... 6	7359	7369	7372
	5 ... 25	7354	5 ... 25	7349	7370	7373
	20 ... 60	7355	20 ... 60	7361	x	7374
	50 ... 250	7350	50 ... 250	7362	x	7367
240 ... 400	7357	240 ... 400	7363			

Special design: Overpressure protector for low pressure and negative overpressure






Pressure gauge in-line filter

	Connection thread				Accessories (to be ordered additionally)				Spare parts		
	Entry	Gauge side	Nominal pressure PN	Material	Article no.	Designation	Nominal pressure PN	Material	Article no.	Designation	Material
G 1/2 M 20x1.5 1/2 NPT	G 1/2	1600	Stainl. steel 1.4571	7348	Sealing element	100	PTFE	7384	Filter disc 1/2 "	SS 1.4404	7333
				7377		1600	SS 1.4571	7330			
G 1/4 M 12x1.5 1/4 NPT	G 1/4	1600	Stainl. steel 1.4571	7379	Sealing element	100	PTFE	7331	Filter disc 1/4 "	SS 1.4404	7334
				7346		1600	SS 1.4571	7332			
				7347							

Instrument mounting brackets

	Extension mm	Material	Article no.	
Bracket for wall mounting DIN 16 281 Form H 	60	ALU, black	7405	
	100		7406	
	160		7407	
	Bracket for wall mounting DIN 16 281 Form A 	60	Stainl. Steel	7410
		100		7411
		160		7412
Bracket for pipe mounting pipe-Ø 20...80 mm 	100	Malleable cast iron, hot galvanised	7335	
Adapter (for above brackets) 	Thread	Material	Article no.	
	G 1/2	Brass	7415	
	G 1/2	Steel	7416	
	G 1/2	1.4571	7417	
	1/2 NPT	1.4571	7418	
Adjustable adapter for differential pressure gauge 	Thread	Material	Article no.	
G 1/2 f/m	Brass	7217		

Sealing washers

	For thread	Material	Article no.
Sealing add-ring Form 1: For self-centering by centering spigot (in accordance with EN 837-1) 	G 1/8	Kupfer	7482
	G 1/4 M 12x1,5	ALU	7483
	G 1/4 M 12x1,5	Kupfer	7484
	G 1/4 M 12x1,5	1.4571	7485
	G3/8, G1/2 M 20x1,5	Kupfer	7486
	G3/8, G1/2 M 20x1,5	1.4571	7487
Form 2: For centering in the bore hole 	G 1/4	ALU	7488
	G 1/4	Kupfer	7489
	M 12x1,5	Kupfer	7490
	G 1/2	Kupfer	7491
Sealing washer per EN 837-1 For self-centering by centering spigot (in accordance with EN 837-1) 	G 1/4	Kupfer	7492
	G 1/4	NP uni	7493
	G 1/2	Kupfer	7494
	G 1/2	NP uni	7495
Sealing washer Thickness of 0.5 mm 	G 1/4	PTFE	7497
	G 1/2	PTFE	7498
Thickness of 2.0 mm 	G 1/2	PTFE	7499

1) The protector is set to 1.1 x maximum scale value when ordered together with a pressure gauge.

2) Degreased, approved for oxygen service, only up to 60°C maximum; adjustable range 20...49 bar only.