

case:

steel, black

- surface mounting flange

bezel:

without  
 steel, black (diam. 160)

dial:

plastic, white, with stroke pin  
 (diam. 40, 50, 63)  
 aluminium, white, with stroke pin  
 (diam. 80, 100, 160)  
 figures and graduation black  
 - red mark  
 - double scale bar/mWS  
 - imprint (100 pcs. min.)

pointer:

plastic, black  
 aluminium, black (diam. 160)

window:

snap-fit window of clear plastic  
 instrument glass (diam. 160)

movement:

CU-alloy

pressure element:

CU-alloy

connection:

CU-alloy, male thread vertical entry (EN 837-1/7.3)  
 G<sup>1</sup>/<sub>8</sub>, SW 12 (diam. 40)  
 G<sup>1</sup>/<sub>4</sub>, SW 14 (diam. 50, 63)  
 G<sup>1</sup>/<sub>2</sub>, SW 22 (diam. 80, 100, 160)

measuring range  
 (EN 837-1/5):

0/0,6 ... 0/400bar (diam. 160 max. 0/40 bar)  
 or equivalent other units of pressure or vacuum

accuracy  
 (EN 837-1/6):

class 1.6/2.5\* (diam. 40, 50, 63) \* for storage gauges or  
 class 1.6 (diam. 80, 100, 160) as option: class 1.6

working pressure:

steady: 3/4 x full scale value  
 fluctuating: 2/3 x full scale value  
 short time: full scale value

operating temp.:

ambient: TMIN -40°C, TMAX +60°C,  
 medium: TMAX +60°C  
 - system hard soldered for TMAX +200°C  
 - OPTIONS

special versions:

for closed heating systems  
 diam. 63, 80 (class 2.5),  
 with red mark-pointer / green flag  
 ranges 0 ... 4 bar, red mark at 2,5 or 3 bar

for fire pressure  
 diam. 80, case steel black  
 ranges 0 ... 4 and 0 ... 10 bar

for freezing systems  
 diam. 63, 80 (diam. 80: class 1.0; case steel black)  
 with additional scale in °C  
 (for R 744, R 764, R 40, R 22 or R 134 a)

test-pressure gauges for freezing systems  
 diam. 80, case steel black  
 class 1.0, with cone with knife edge pointer  
 and 3 scales in °C (for R 22, R 134 a and R 404 a)

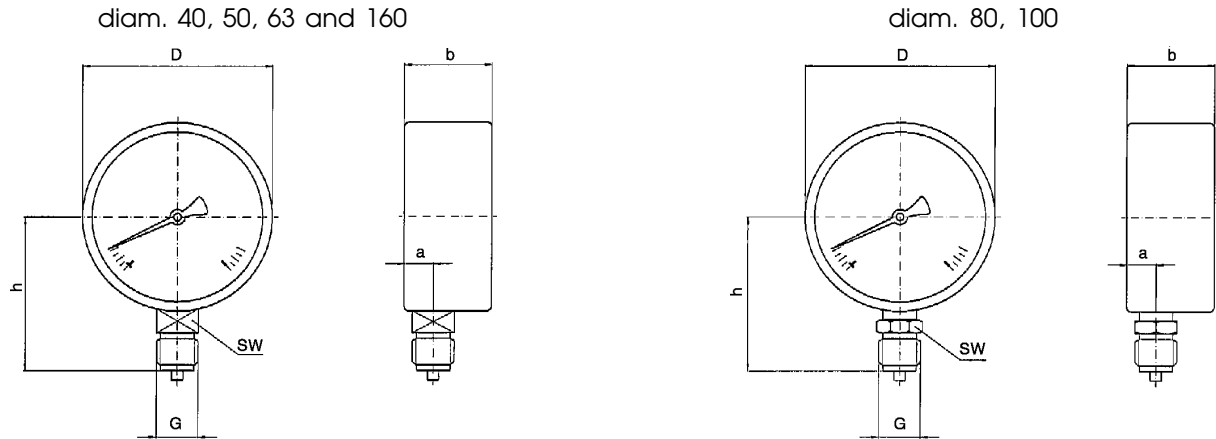
for water level reading (hydrometer)  
 diam. 80, 100, 160 (class 2.5),  
 ranges 0 ... 0,6 to 0 ... 40bar,  
 with 2. scale in mWS



**dimensions**

standard version

connection vertical



diam.	dimensions (mm)						weight (kg)
	a	b ± 0.5	D	G	h ± 1	SW	
40	8	24.1	41	G 1/8	36	12	0.06
50	10	27.6	49	G 1/4	45	14	0.10
63	10	28.3	62	G 1/4	53.5	14	0.13
80	11.5	30	79	G 1/2	72	22	0.18
100	11.5	30	99	G 1/2	83.5	22	0.21
160	15.5	41.5	160	G 1/2	115.5	22	0.85

connection acc. to EN 837-1/7.3

type		111.10					
diam.		40	50	63	80	100	160
version							
-1200 - 0	mbar	x	x	7600	x	7800	7867
-1 - 0	bar	7500	7550	7601	7750	7801	7851
-1 + 0.6		x	x	7563	x	7802	x
-1 + 1.5		x	x	7564	7751	7803	7852
-1 + 3		x	x	7565	7752	7804	7853
-1 + 5		x	x	7566	7753	7805	7854
-1 + 9		x	x	7567	7754	7806	7855
-1 + 15		x	x	7568	7755	7807	7856
0 - 0.6		x	x	7602	7756	7808	7857
0 - 1		x	7551	7603	7757	7809	7858
0 - 1.6		7501	7552	7604	7758	7810	7859
0 - 2.5		7502	7553	7605	7759	7811	7860
0 - 4		7503	7554	7606	7760	7812	7861
0 - 6		7504	7555	7607	7761	7813	7862
0 - 10		7505	7556	7608	7762	7814	7863
0 - 16	7506	7557	7609	7763	7815	7864	
0 - 25	7507	7558	7610	7764	7816	7865	
0 - 40	7508	7559	7611	7765	7817	7866	
0 - 60	bar	x	7560	7612	7766	7820	-
0 - 100		x	7561	7613	x	7821	-
0 - 160		x	7562	7614	x	7822	-
0 - 250		x	x	7615	x	x	-
0 - 315		x	x	7616	x	x	-
0 - 400		x	x	7617	x	x	-

type		111.10					
diam.		63		80	80	100	160
version							
0 - 0.6	bar <sup>1)</sup>	-	-	-	7900	7910	7920
0 - 1		-	-	-	7901	7911	7921
0 - 1.6		-	-	-	7902	7912	7922
0 - 2.5		-	-	-	7903	7913	7923
0 - 4		-	-	-	7904	7914	7924
0 - 6	bar <sup>1)</sup>	-	-	-	7905	7915	7925
0 - 10		-	-	-	7906	7916	7926
0 - 16		-	-	-	9824	9826	9828
0 - 25		-	-	-	9825	9827	9829
0 - 40		-	-	-	x	x	x

<sup>1)</sup> with art-no. red mark-pointer, 2. scale mWS black

diam.	63	80	100	160
-------	----	----	-----	-----

for closed systems -  
 with red mark-pointer/green flag

connection		G 1/4		G 1/2	
0 - 2.5 - 4	bar	7700	7704	x	-
		-	7706	x	-
0 - 2.5 - 4	bar	G 3/8		G 1/2	
		7710	7714	7720	-
0 - 3 - 4	bar	-	7715	7722	-

Dimensions and technical data according to technical standard of today. Changes which make our products better will be made without proclaiming.