

case:	steel, black
bezel:	without - panel mounting flange - narrow panel ring with clamp
dial:	plastic, white, with stroke pin (diam. 40, 50, 63) aluminium, white, with stroke pin (diam. 80, 100) figures and graduation black - red mark - imprint (100 pcs. min.)
pointer:	plastic, black
window:	snap-fit window of clear plastic
movement:	Cu-alloy
pressure element:	Cu-alloy
connection:	Cu-alloy, male thread back entry (EN 837-1/7.3) G ¹ / ₈ , SW 14 (diam. 40) G ¹ / ₄ , SW 14 (diam. 50, 63, 80, 100)
measuring range (EN 837-1/5):	0/0.6 bar ... 0/400 bar or equivalent other units of pressure or vacuum
accuracy (EN 837-1/6):	class 1.6/2.5* (diam. 40, 50, 63) class 1.6 (diam. 80, 100)
working pressure:	steady: $\frac{3}{4}$ x full scale value fluctuating: $\frac{2}{3}$ x full scale value short time: full scale value
operating temp.:	ambient: TMIN -40°C, TMAX +60°C, medium: TMAX +60°C - system hard soldered for TMAX +200°C - OPTIONS
special versions:	for water level reading (hydrometer) diam. 80 (class 2.5), measuring ranges 0 ... 0.6 bar to 0 ... 40 bar, with 2. scale in mWS for closed heating systems diam. 63, 80 (class 2.5) with red mark-pointer / green flag, measuring ranges 0 ... 4bar, red mark at 2.5 or 3bar for tire pressure diam. 80, case steel, black measuring ranges 0 ... 4 bar and 0 ... 10bar

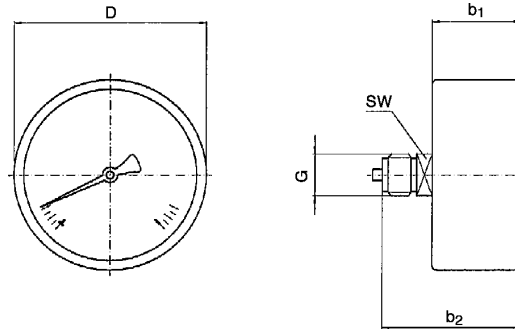


* for storage gauges or
 as option: class 1.6

dimensions

standard version

connection back entry



diam.	dimensions (mm)					weight (kg)
	b ₁ ± 0.5	b ₂ ± 1	D	G	SW	
40	26	44	41	G 1/8	14	0.063
50	26.5	47.5	49	G 1/4	14	0.071
63	27.5	48	62	G 1/4	14	0.078
80	32	49	79	G 1/4	14	0.110
100	31	49	99	G 1/4	14	0.260

type		111.12				
diam.		40	50	63	80	100
version						
-1200 - 0	mbar	x	x	x	x	x
-1 - 0	bar	7510	7570	7680	7775	7825
-1 + 0.6		x	x	x	x	x
-1 + 1.5		x	x	x	x	x
-1 + 3		x	x	x	x	x
-1 + 5		x	x	x	x	x
-1 + 9		x	x	x	x	x
-1 + 15		x	x	x	x	x
0 - 0.6		x	x	7681	x	x
0 - 1		x	7571	7682	7776	7826
0 - 1.6		7511	7572	7683	7777	7827
0 - 2.5	7512	7573	7684	7778	7828	
0 - 4	7513	7574	7685	7779	7829	
0 - 6	bar	7514	7575	7686	7780	7830
0 - 10		7515	7576	7687	7781	7831
0 - 16		7516	7577	7688	7782	7832
0 - 25		7517	7578	7689	7783	7833
0 - 40		7518	7579	7690	7784	7834
0 - 60	bar	x	7580	7691	7785	x
0 - 100		x	7581	7692	x	x
0 - 160		x	x	7693	x	x
0 - 250		x	x	7694	x	x
0 - 315		x	x	7695	-	x
0 - 400	x	x	7696	x	x	

diam.	63	80
-------	----	----

for closed heating systems -
with red mark-pointer/green flag

connection		G ^{1/4}		
version				
0 - 2.5 - 4	bar	7701	7705	x
0 - 3 - 4		-	7707	x
connection		G ^{3/8}		G ^{1/4}
0 - 2.5 - 4	bar	7711	7899	7721 ²⁾
0 - 3 - 4		-	x	7723 ²⁾

²⁾ with valve G^{1/4} inside x DIN 2999 G^{1/2} outside.

Dimensions and technical data according to technical standard of today. Changes which make our products better will be made without proclaiming.