

<b>case:</b>	<b>bayonet, stainless steel, polished</b> - surface mounting flange - diam. 250
<b>bezel:</b>	<b>bayonet, stainless steel, polished</b> - panel mounting flange
<b>dial:</b>	<b>aluminium, white varnished</b> <b>figures and graduation black</b> - red mark - red mark-pointer - imprint (50 pcs. min.)
<b>pointer:</b>	<b>aluminium, black</b>
<b>window:</b>	<b>instrument glass</b> - safety glass - max. drag-pointer - red mark-pointer
<b>movement:</b>	<b>Cu-alloy, wear parts argentan</b>
<b>pressure element:</b>	<b>Cu-alloy, &gt;= 100 bar stainless steel 1.4571</b>
<b>connection:</b>	<b>Cu-alloy, male thread (EN 837-1/7.3)</b> <b>vertical or lower back entry G<sup>1</sup>/<sub>2</sub>, SW 22</b>
<b>measuring range</b> (EN 837-1/5):	<b>0/0.6 bar ... 0/1000bar (diam. 100)</b> <b>0/0.6 bar ... 0/1600bar (diam. 160)</b> <b>or equivalent other units of pressure or vacuum</b>
<b>accuracy</b> (EN 837-1/6):	<b>class 1.0</b>
<b>working pressure:</b>	<b>steady: full scale value</b> <b>fluctuating: 0.9 x full scale value</b> <b>short time: 1.3 x full scale value</b>
<b>operating temp.:</b>	<b>ambient: TMIN -40°C, TMAX +60°C,</b> <b>medium: TMAX +60°C</b> - system hard soldered for TMAX +200°C - OPTIONS
<b>special versions:</b>	<b>for freezing systems</b> diam. 100: with temp. scale in °C (for R 744, R 764, R 40, R 22 or R 134a)

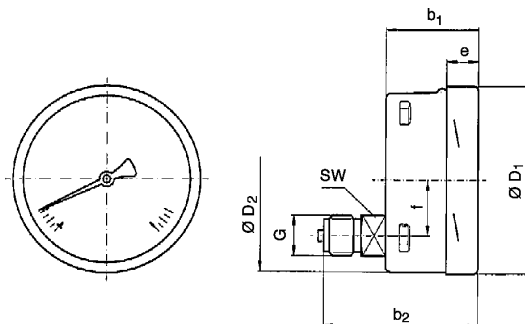
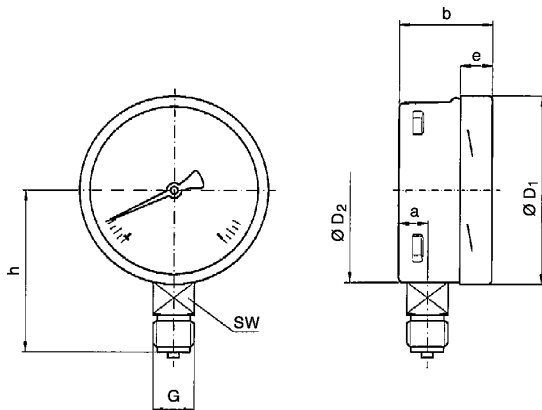


**dimensions**

standard version

diam. 100, connection vertical

diam. 100, connection lower back entry



diam.	dimensions (mm)											weight (kg)
	a	b	b <sub>1</sub>	b <sub>2</sub>	D <sub>1</sub>	D <sub>2</sub>	e	f	G	h ± 1	SW	
100	15.5	49.5	49.5	83	101	99	17.5	30	G 1/2	87	22	0.60
160	15.5	49.5 <sup>2)</sup>	49.5 <sup>1)</sup>	83 <sup>1)</sup>	161	159	17.5	50	G 1/2	118	22	1.10

connection acc. to EN 837-1/7.3

<sup>1)</sup> range ≥ 100 bar + 16 mm

<sup>2)</sup> range 1600 bar + 16 mm

type		212.20					
diam.		100		160		250	
version							
-1200 - 0	mbar	8000	x	8100	x	x	x
-1 - 0	bar	8001	8050	8101	x	x	x
-1 + 0.6		8024	x	x	x	x	x
-1 + 1.5		8002	8025	8102	x	x	x
-1 + 3		8003	x	8103	x	x	x
-1 + 5		8004	x	8104	x	x	x
-1 + 9		8005	x	8105	x	x	x
-1 + 15		8006	x	8106	x	x	x
0 - 0.6		8007	x	8107	x	8150	x
0 - 1		8008	8051	8108	x	8151	x
0 - 1.6		8009	8052	8109	x	8152	x
0 - 2.5		8010	8053	8110	x	8153	x
0 - 4		8011	8054	8111	x	8154	x
0 - 6		8012	8055	8112	x	8155	x
0 - 10		8013	8056	8113	8124	8156	x
0 - 16		8014	8057	8114	8125	8157	x
0 - 25		8015	8058	8115	8126	8158	x
0 - 40	8016	8059	8116	x	8159	x	
0 - 60	8017	8060	8117	x	8160	x	
0 - 100	8018	8061	8118	x	8161	x	
0 - 160	8019	8062	8119	x	8162	x	
0 - 250	8020	8063	8120	x	8163	x	
0 - 400	8021	8064	8121	x	8164	x	
0 - 600	8022	8065	8122	x	x	x	
0 - 1000	8026	x	8127	x	x	x	
0 - 1600	-	-	8128	x	x	x	

Dimensions and technical data according to technical standard of today. Changes which make our products better will be made without proclaiming.