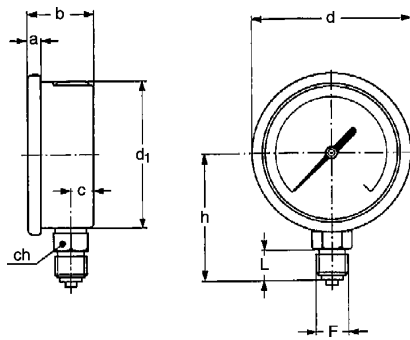


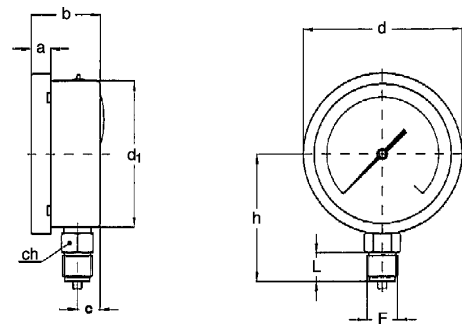
<b>case:</b>	<b>stainless steel, polished with blow-out relief</b> - surface mounting flange - narrow panel ring with clamp
<b>bezel:</b>	<b>rolled-in (diam. 63), bayonet (diam. 100, 160) stainless steel</b>
<b>filling:</b>	<b>glycerine 98%</b> - silicon oil (down to -45°C) - fluoric liquid (down to -60°C)
<b>dial:</b>	<b>plastic ABS (diam. 63), aluminium (diam 100, 160) white, figures and graduation black</b> - 2nd scale in psi, inwards red
<b>pointer:</b>	<b>aluminium, black</b>
<b>window:</b>	<b>plastic</b>
<b>movement:</b>	<b>stainless steel, wear parts brass</b>
<b>pressure element:</b>	<b>phosphorus-bronze respectively stainless steel &gt;= 600 bar (diam. 63), 60 bar (diam. 100, 160)</b>
<b>connection:</b>	<b>brass, male thread vertical and rear entry</b> <b>G<sup>1</sup>/<sub>4</sub>, SW 14 (diam. 63)</b> <b>G<sup>1</sup>/<sub>2</sub>, SW 17 (diam. 100, 160)</b> - NPT thread
<b>measuring range (EN 837-1/5):</b>	<b>0/1 bar ... 0/1000bar (diam. 63)</b> <b>0/1 bar ... 0/1600 bar (diam. 100, 160)</b> <b>or equivalent other units of pressure or vacuum</b>
<b>accuracy:</b>	<b>class 1.6 (diam. 63)</b> <b>class 1.0 (diam. 100, 160)</b> - class 1.6 (diam. 100)
<b>working pressure:</b>	<b>steady: up to 60 bar                    1.3 x full scale value</b> <b>                  up to 100 bar                1.25 x full scale value</b> <b>                  more than 100bar                1.15 x full scale value</b>
<b>operating temp.:</b>	<b>ambient: TMIN +15°C, TMAX +65°C,</b> <b>medium: TMAX +65°C</b>





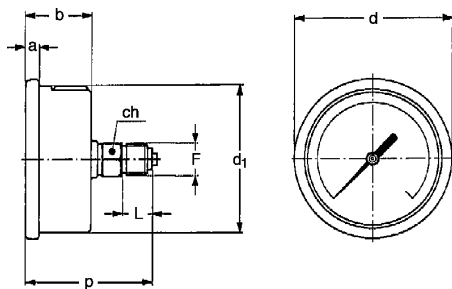
diam. 63 vertical · type 010.1

a	b	c	d	d1	ch	h	L	F	net weight (kg)
5.6	28	10	68	62.6	14x8	54.3	13	G 1/4	0.2



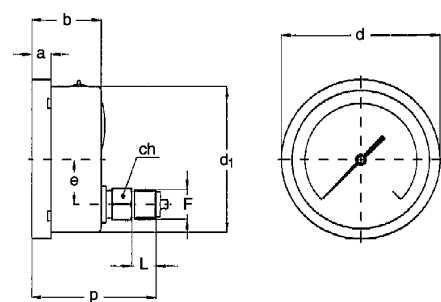
diam. 100 vertical · type 010.1

a	b	c	d	d1	ch	h	L	F	net weight (kg)
13	48.6	16.1	110.6	101	22	87	20	G 1/2	0.85



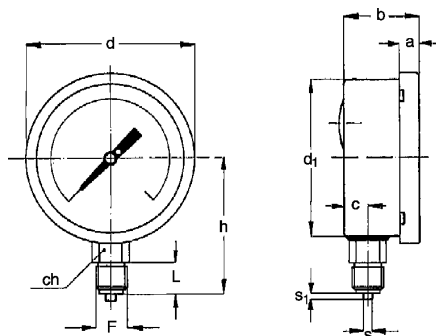
diam. 63 rear · type 010.2

a	b	d	d1	ch	p	L	F	net weight (kg)
5.6	28	68	62.6	14x8	53.8	13	G 1/4	0.2



diam. 100 rear · type 010.2

a	b	d	d1	e	ch	p	L	F	net weight (kg)
13	48.6	110.6	101	31	22	89	20	G 1/2	0.9



diam. 160 vertical · type 010.1

a	b	c	d	d1	ch	h	L	F	S	S1	(kg)
15	50.5	16.5	161.5	150	24	118	20	G 1/2	6	5	1.8

type	010.1	010.2	010.1	010.2	010.1
diam.	63		100		
version					
-1 / 0	9830	9851	9871	9893	9909
-1 / 1.5	9831	x	9872	x	x
-1 / 3	9832	x	9873	x	x
-1 / 5	9833	9852	9874	x	x
-1 / 9	9834	9853	x	x	x
-1 / 15	x	9854	x	x	x
0 / 0.6	-	-	-	-	-
0 / 1	9835	9855	9876	9894	9910
0 / 1.6	9836	9856	9877	9895	9911
0 / 2.5	9837	9857	9878	9896	9912
0 / 4	9838	9858	9879	9897	9913
0 / 6	9839	9859	9880	9898	9914
0 / 10	9840	9860	9881	9899	9915
0 / 16	9841	9861	9882	9900	9916
0 / 25	9842	9862	9883	9901	9917
0 / 40	9843	9863	9884	9902	9918
0 / 60	9844	9864	9885	9903	9919
0 / 100	9845	9865	9886	9904	9920
0 / 160	9846	9866	9887	9905	9921
0 / 250	9847	9867	9888	9906	9922
0 / 400	9848	9868	9889	9907	9923
0 / 600	9849	9869	9890	9908	9924
0 / 1000	9850	9870	9891	-	9925
0 / 1600	-	-	9892	-	9925

Dimensions and technical data according to technical standard of today. Changes which make our products better will be made without proclaiming.