

case:

**stainless steel, polished  
with blow-up relief**

- surface mounting flange
- narrow panel ring with clamp

bezel:

**rolled-in, bright (diam. 63)  
bayonet (diam. 100, 160)**

- panel mounting flange

filling:

**glycerine 98%**

- silicon oil (down to -45°C)
- fluoric liquid (down to -60°C)

dial:

**aluminium, white  
figures and graduation black**

- 2nd scale in psi, inwards red

pointer:

**aluminium, black**

window:

**plastic**

- safety glass (diam. 100, 160)

movement:

**stainless steel**

pressure element:

**stainless steel**

connection:

**stainless steel, male thread vertical or rear entry**

**G<sup>1</sup>/<sub>4</sub>, SW 14 (diam. 63)**

**G<sup>1</sup>/<sub>2</sub>, SW 24 (diam. 100, 160)**

- NPT thread

measuring range:

**0/1 bar ... 0/1000bar (diam. 63)**

**0/1 bar ... 0/1600 bar (diam. 100, 160)**

**or equivalent units of pressure or vacuum**

accuracy:

**class 1.6 (diam. 63)**

**class 1.0 (diam. 100, 160)**

working pressure:

**steady: up to 60 bar**

**1.3 x full scale value (diam. 100, 160),**

**up to 100 bar**

**1.25 x full scale value**

**more than 100bar**

**1.15 x full scale value**

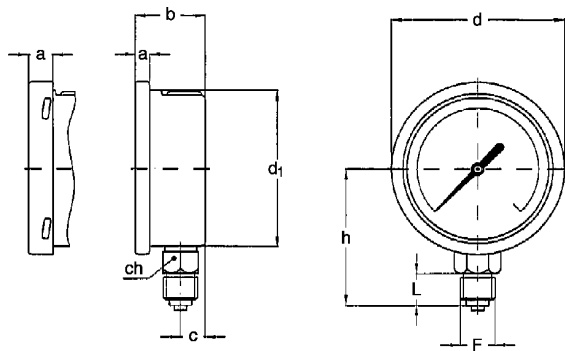
operating temp.:

**ambient: TMIN +15°C, TMAX +65°C,**

**medium: TMAX +65°C**

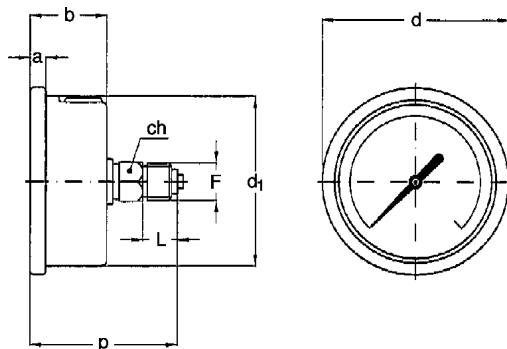
- OPTIONS





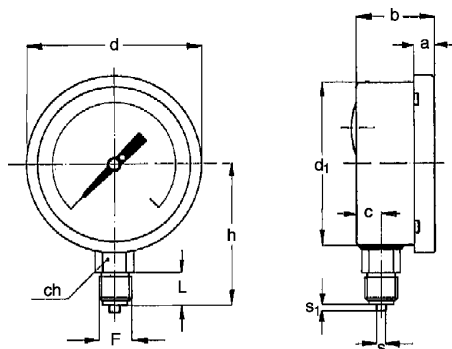
diam. 63 vertical · type 183.1

a	b	c	d	d1	ch	h	L	F	net weight (kg)
5.6	28	10	68	62.6	14x9	55.3	13	G 1/4	0.2



diam. 63 rear · type 183.2

a	b	d	d1	ch	p	L	F	net weight (kg)
5.6	28	68	62.6	14x9	54.8	13	G 1/4	0.21



diam. 100 / diam. 160 vertical · type 183.1

diam.	a	b	c	d	d1	ch	h	L	F	S	S1	(kg)
100	11.5	47	16	110	101	24	86	20	G 1/2	6	5	1.0
160	15	50.5	16.5	161.5	150		118					

type	183.1	183.2	183.1	183.1
diam.	63		100	160
version				
-1 / 0	9926	9941	9956	9975
-1 / 1.5	x	x	9957	x
-1 / 3	x	x	x	x
-1 / 5	x	x	x	x
-1 / 9	x	x	x	x
-1 / 15	x	x	x	-
0 / 0.6	-	-	-	-
0 / 1	9927	9942	9958	9976
0 / 1.6	9928	9943	9959	x
0 / 2.5	9929	9944	9960	9977
0 / 4	9930	9945	9961	9978
0 / 6	9931	9946	9962	9979
0 / 10	9932	9947	9963	9980
0 / 16	9933	9948	9964	9981
0 / 25	9934	9949	9965	9982
0 / 40	9935	9950	9966	9983
0 / 60	9936	9951	9967	9984
0 / 100	9937	9952	9968	9985
0 / 160	9938	9953	9969	9986
0 / 250	9939	9954	9970	9987
0 / 400	9940	9955	9971	9988
0 / 600	x	x	9972	9989
0 / 1000	x	x	9973	9990
0 / 1600	-	-	9974	x

Dimensions and technical data according to technical standard of today. Changes which make our products better will be made without proclaiming.