

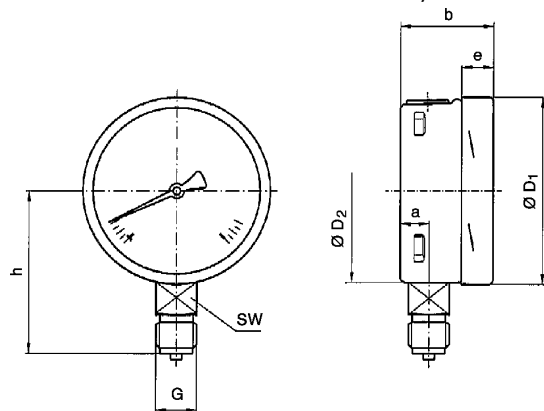
<b>case:</b>	<b>stainless steel</b> <b>with pressure relief</b> - contacts - surface mounting flange
<b>bezel:</b>	<b>bayonet, stainless steel</b> - panel mounting flange
<b>dial:</b>	<b>aluminium, white</b> <b>figures and graduation black</b> - red mark-pointer
<b>pointer:</b>	<b>aluminium, black</b>
<b>window:</b>	<b>laminated safety glass</b> - max. drag-pointer
<b>movement:</b>	<b>stainless steel</b>
<b>pressure element:</b>	<b>stainless steel 1.4571</b>
<b>connection:</b>	<b>stainless steel 1.4571, vertical or rear entry</b> <b>G1/2, SW 22 (EN 837-1/7.3)</b>
<b>measuring range</b> <b>(EN 837-1/5):</b>	<b>0/0.6 bar ... 0/1000bar (diam. 100)</b> <b>0/0.6 bar ... 0/1600bar (diam. 160)</b> <b>or equivalent other units of pressure or vacuum</b>
<b>accuracy</b> <b>(EN 837-1/6):</b>	<b>class 1.0</b>
<b>working pressure:</b>	<b>steady: full scale value</b> <b>fluctuating: 0.9 x full scale value</b> <b>short time: 1.3 x full scale value</b>
<b>operating temp.:</b>	<b>ambient: TMIN -25°C, TMAX +60°C,</b> <b>medium: TMAX +100°C</b>  - OPTIONS



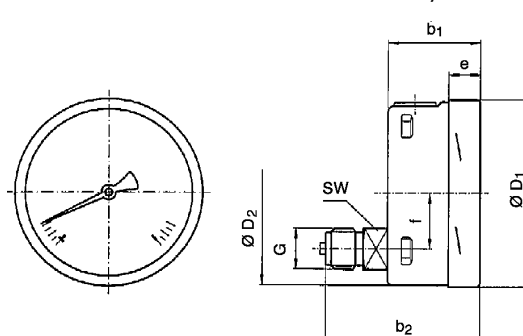
**dimensions**

standard version

diam. 100, vertical entry



diam. 100, lower rear entry



diam.	dimensions (mm)											net weight (kg)
	a	b	b1	b2	D1	D2	e	f	G	h ± 1	SW	
100	15.5	49.5	49.5	83	101	99	17.5	30	G 1/2	87	22	0,60
160	15.5	49.5 <sup>3)</sup>	49.5 <sup>2)</sup>	83 <sup>2)</sup>	161	159	17.5	50	G 1/2	118	22	1,10

connection acc. to EN 837-1/7.3

<sup>2)</sup> ranges >= 100 bar + 16 mm

<sup>3)</sup> range 1600 bar + 16 mm

type		232.50				
diam.		100		160		
version						
-1200 - 0	mbar	9647	x	x	x	x
-1 - 0	bar	9620	x	9656	9660	x
-1 + 0.6		9621	x	9657	9661	x
-1 + 1.5		9622	x	9693	9662	x
-1 + 3		9623	x	9694	9663	x
-1 + 5		9624	x	x	9664	x
-1 + 9		9625	x	9695	9665	x
-1 + 15		9626	x	x	9666	x
0 - 0.6		9643	x	x	9667	x
0 - 1		9627	x	9658	9668	x
0 - 1.6		9628	x	9696	9669	x
0 - 2.5		9629	9648	9684	9670	x
0 - 4		9630	9649	9685	9671	x
0 - 6		9631	9650	9686	9672	x
0 - 10		9632	9651	9687	9673	x
0 - 16		9633	9652	9688	9674	x
0 - 25	9634	9653	9689	9675	x	
0 - 40	9635	9654	9690	9676	x	
0 - 60	9636	9655	9691	9677	x	
0 - 100	9637	x	9692	9678	x	
0 - 160	9638	x	9697	9679	x	
0 - 250	9639	x	9698	9680	x	
0 - 400	9640	x	9699	9681	x	
0 - 600	9641	x	x	9682	x	
0 - 1000	9642	x	x	9683	x	
0 - 1600	bar	-	-	-	x	x

<sup>1)</sup> 1/2 NPT

Dimensions and technical data according to technical standard of today. Changes which make our products better will be made without proclaiming.