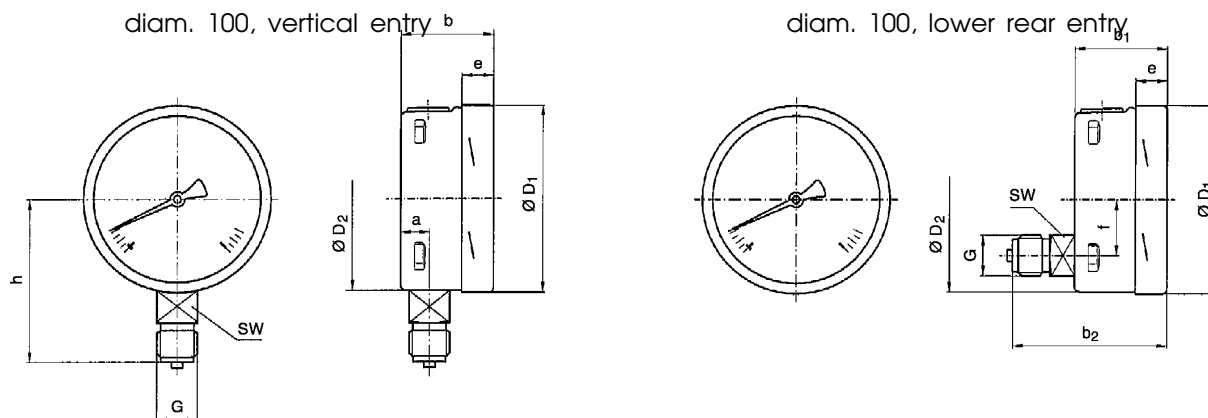


case:	stainless steel with pressure relief - contacts - surface mounting flange
bezel:	bayonet, stainless steel - panel mounting flange
filling:	glycerine 99,7%
dial:	aluminium, white figures and graduation black
pointer:	aluminium, black
window:	laminated safety glass
movement:	stainless steel
pressure element:	stainless steel 1.4571
connection:	stainless steel 1.4571, vertical or rear entry G¹/₂, SW 22 (EN 837-1/7.3)
measuring range (EN 837-1/5):	0/0.6 bar ... 0/1000 bar (diam. 100) 0/0.6 bar ... 0/1600 bar (diam. 160) or equivalent other units of pressure or vacuum
accuracy (EN 837-1/6):	class 1.0
working pressure:	steady: full scale value fluctuating: 0.9 x full scale value short time: 1.3 x full scale value
operating temp.:	ambient: TMIN -20°C, TMAX +60°C, medium: TMAX +100°C - OPTIONS



dimensions

standard versions



diam.	dimensions (mm)											net weight (kg)
	a	b	b1	b2	D1	D2	e	f	G	h ± 1	SW	
100	15.5	49.5	49.5	83	101	99	17.5	30	G 1/2	87	22	0.90
160	15.5	49.5 ³⁾	49.5 ²⁾	83 ²⁾	161	159	17.5	50	G 1/2	118	22	2.00

connection acc. to EN 837-1/7.3

²⁾ ranges >= 100 bar + 16 mm

³⁾ range 1600 bar + 16 mm

type		233.50				
diam.		100		160		
version						
-1200 - 0	mbar	x	x	x	x	x
-1 - 0	bar	9223	9334	9283	9213	x
-1 + 0,6		9316	x	x	x	x
-1 + 1,5		9317	x	9347	x	x
-1 + 3		9318	x	x	x	x
-1 + 5		9319	x	x	9214	x
-1 + 9		9303	x	x	x	x
-1 + 15		x	x	x	x	x
0 - 0,6		9332	x	9348	x	x
0 - 1		9224	x	9284	x	x
0 - 1,6		9269	x	9285	x	x
0 - 2,5		9270	9335	9286	9215	x
0 - 4		9271	x	9287	9216	x
0 - 6		9272	9336	9288	9217	x
0 - 10		9273	9337	9289	9218	x
0 - 16		9274	9338	9290	9219	x
0 - 25		9275	x	9291	9220	x
0 - 40	9276	x	9292	9357	x	
0 - 60	9277	x	9293	9221	x	
0 - 100	9278	x	9294	9222	x	
0 - 160	9279	x	9295	x	x	
0 - 250	9280	9339	9296	x	x	
0 - 400	9281	x	9297	x	x	
0 - 600	9282	x	9298	x	x	
0 - 1000	9333	x	x	9299	x	
0 - 1600	x	-	-	x	x	

¹⁾ 1/2 NPT

**Dimensions and technical data according to technical standard of today.
 Changes which make our products better will be made without proclaiming.**