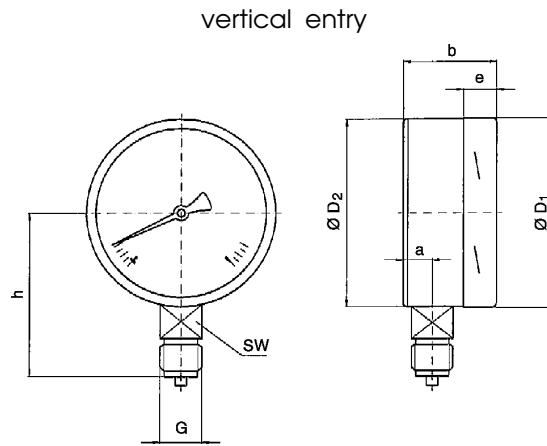


case:	<p>stainless steel with solid baffle wall and blow-out back - contacts</p>												
bezel:	<p>bayonet, stainless steel - panel mounting flange</p>												
filling:	<p>glycerine 99,7%</p>												
dial:	<p>aluminium, white figures and graduation black with pointer stop pin (diam. 63)</p>												
pointer:	<p>aluminium, black</p>												
window:	<p>laminated safety glass</p>												
movement:	<p>stainless steel</p>												
pressure element:	<p>stainless steel 1.4571</p>												
connection:	<p>stainless steel 1.4571 – only vertical entry G¹/₄, SW 14 (diam. 63) G¹/₂, SW 22 (diam. 100, 160) (EN 837-1/7.3)</p>												
measuring range (EN 837-1/5):	<p>0/1 bar ... 0/1000bar (diam. 63) 0/0.6 bar ... 0/1000bar (diam. 100) 0/0.6 bar ... 0/1600bar (diam. 160) or equivalent other units of pressure or vacuum</p>												
accuracy (EN 837-1/6):	<p>class 1.6 (diam. 63) class 1.0 (diam. 100, 160)</p>												
working pressure:	<table border="0"> <tr> <td>diam.</td> <td>63</td> <td>100 / 160</td> </tr> <tr> <td>steady:</td> <td>3/4 x</td> <td>1.0 x full scale value</td> </tr> <tr> <td>fluctuating:</td> <td>2/3 x</td> <td>0.9 x full scale value</td> </tr> <tr> <td>short time:</td> <td>1.0 x</td> <td>1.3 x full scale value</td> </tr> </table>	diam.	63	100 / 160	steady:	3/4 x	1.0 x full scale value	fluctuating:	2/3 x	0.9 x full scale value	short time:	1.0 x	1.3 x full scale value
diam.	63	100 / 160											
steady:	3/4 x	1.0 x full scale value											
fluctuating:	2/3 x	0.9 x full scale value											
short time:	1.0 x	1.3 x full scale value											
operating temp.:	<p>ambient: TMIN -20°C, TMAX +60°C, medium: TMAX +100°C</p> <p>- OPTIONS</p>												



dimensions

standard version



diam.	dimensions (mm)								net weight (kg)
	a	b	D1	D2	e	G	h ± 1	SW	
63	17.5	42	63	63	14.5	G 1/4	53	14	0.26
100	24	57.5	101	100	17.5	G 1/2	87	22	1.08
160	24	58 ¹⁾	161	160	17.5	G 1/2	118	22	2.34 ¹⁾

connection acc. to EN 837-1/7.3

¹⁾ measuring range 1600 bar 75.5 mm respectively 2.9 kg

type		233.30			
diam.		63	100	160	
version					
-1200 - 0	mbar	x	x	x	x
-1 - 0	bar	9200	9225	x	9250
-1 + 0.6		9247	9226	x	9769
-1 + 1.5		9248	9227	9750	9251
-1 + 3		x	9228	x	9252
-1 + 5		x	9229	x	9253
-1 + 9		x	9230	9763	9254
-1 + 15		x	9767	x	x
0 - 0.6		-	9768	9764	x
0 - 1		9765	9231	9751	9255
0 - 1.6		9766	9232	9752	9256
0 - 2.5		9201	9233	9753	9257
0 - 4		9202	9234	9754	9258
0 - 6		9203	9235	9755	9259
0 - 10		9204	9236	9756	9260
0 - 16		9205	9237	9757	9261
0 - 25		9206	9238	9758	9262
0 - 40	9207	9239	9759	9263	
0 - 60	9208	9240	9760	9264	
0 - 100	9209	9241	9761	9265	
0 - 160	9210	9242	9762	9266	
0 - 250	9211	9243	x	9267	
0 - 400	9212	9244	x	9268	
0 - 600	x	9245	x	9770	
0 - 1000	9771	9246	x	x	
0 - 1600	-	x	x	9249	

¹⁾ 1/2 NPT

Dimensions and technical data according to technical standard of today. Changes which make our products better will be made without proclaiming.