

case with integral upper diaphragm:

grey cast iron, black

- liquid-filled

- contacts

bezel:

bayonet, steel, black

- brass, polished

dial:

aluminium, white

figures and graduation black

- red mark-pointer

pointer:

aluminium, black

window:

instrument glass

- max. drag-pointer

movement:

Cu-alloy, wear parts argentan

pressure element:

<= 2.5 bar stainless steel 1.4571 (0.4 bar Duratherm)

> 2.5 bar steel

diaphragm sealing ring:

NBR (buna rubber)

connection with lower diaphragm:

steel, G<sup>1</sup>/<sub>2</sub>, SW 27 (EN 837-3/7.3)

- other threaded pressure connection

measuring range (EN 837-3/5):

0/16mbar ... 0/250mbar (flange diam. 160mm)

0/400mbar ... 0/40bar (flange diam. 100mm)

or equivalent other units of pressure or vacuum

accuracy (EN 837-3/6):

class 1.6

overpressure safety:

<= 400 mbar: 5 x full scale value

<= 2.5 bar: 3 x full scale value

> 2.5 bar: 5 x full scale value, max. 40 bar

operating temp.:

ambient: TMIN -20°C, TMAX +60°C,

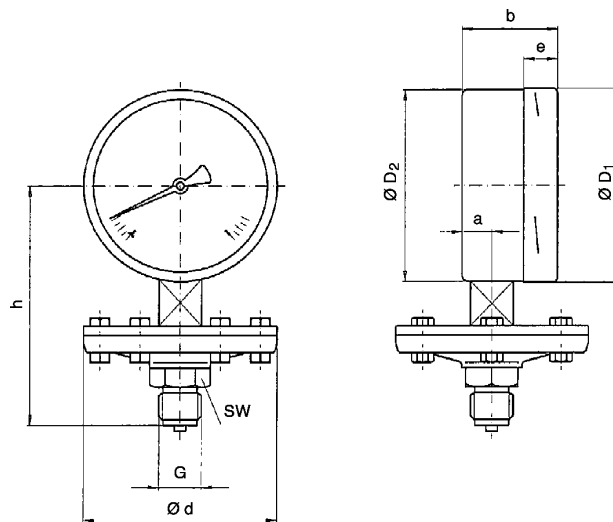
medium: TMAX +100°C

- OPTIONS



**dimensions**

standard version



diam.	ranges (bar)	dimensions (mm)									net weight (kg)
		d	a	b	D1	D2	e	G	h ± 2	SW	
100	≤ 0.25	160	15.5	49.5	101	99	17.5	G 1/2	135	27	3.4
160			15.5	49.5	161	159	17.5	G 1/2	165	27	4.3
100	> 0.25	100	15.5	49.5	101	99	17.5	G 1/2	135	27	2.1
160			15.5	49.5	161	159	17.5	G 1/2	165	27	3.0

connection acc. to DIN 16288.

type		422.12	
diam.		100	160
version			
-1200 - 0	mbar	x	8479
-1 - 0	bar	8460	8480
-1 + 1.5		8461	8481
-1 + 3		8462	8482
-1 + 5		8463	8483
-1 + 9		8464	x
-1 + 15		x	x
-1 + 25		x	x
0 - 400		mbar	8458
0 - 0.6	bar	8465	8485
0 - 1		8466	8486
0 - 1.6		8467	x
0 - 2.5		8468	x
0 - 4		8469	8489
0 - 6		8470	8490
0 - 10		8471	8491
0 - 16		8472	8492
0 - 25		8473	8493
0 - 40		x	x
0 - 16	mbar	x	x
0 - 25		x	x
0 - 40		8600	8610
0 - 60		8601	8611
0 - 100	mbar	8602	8612
0 - 160		8603	8613
0 - 250		8604	8614

Dimensions and technical data according to technical standard of today. Changes which make our products better will be made without proclaiming.