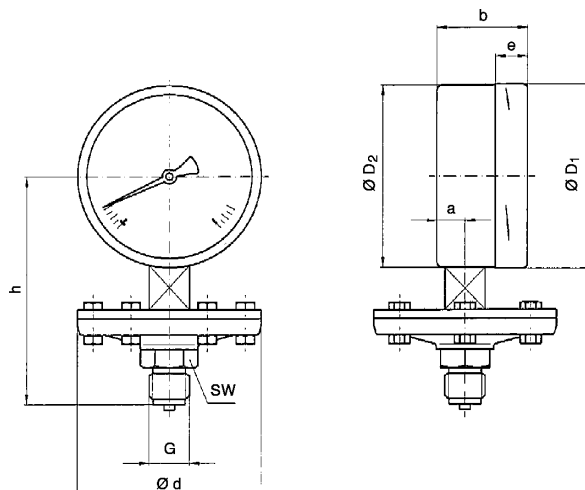


<b>case:</b>	<b>stainless steel</b> - liquid-filled - contacts
<b>bezel:</b>	<b>bayonet, stainless steel</b>
<b>dial:</b>	<b>aluminium, white</b> <b>figures and graduation black</b> - red mark-pointer
<b>pointer:</b>	<b>aluminium, black</b>
<b>window:</b>	<b>instrument glass</b> - max. drag-pointer
<b>movement:</b>	<b>Cu-alloy, wear parts argentan</b>
<b>pressure element (wetted parts):</b>	<b>stainless steel 1.4571 or 1.4568</b>
<b>diaphragm sealing ring (wetted parts):</b>	<b>NBR (buna rubber)</b>
<b>upper diaphragm:</b>	<b>steel, black</b>
<b>connection with lower diaphragm (wetted parts):</b>	<b>steel, black, G<sup>1</sup>/<sub>2</sub>, SW 27 (EN 837-3/7.3)</b> - other threaded pressure connections
<b>measuring range (EN 837-3/5):</b>	<b>0/16mbar ... 0/400mbar (flange diam. 160mm)</b> <b>0/400mbar ... 0/40bar (flange diam. 100mm)</b> <b>or equivalent other units of pressure or vacuum</b>
<b>accuracy (EN 837-3/6):</b>	<b>class 1.6</b>
<b>working pressure:</b>	<b>steady: full scale value</b> <b>fluctuating: 0.9 x full scale value</b>
<b>overpressure safety:</b>	<b>&lt;= 250 mbar: 5 x full scale value</b> <b>&lt;= 2.5 bar: 3 x full scale value</b> <b>&gt; 2.5 bar: 5 x full scale value, max 40 bar</b>
<b>operating temp.:</b>	<b>ambient: TMIN -20°C, TMAX +60°C,</b> <b>medium: TMAX +100°C</b> - OPTIONS



**dimensions**

standard version



diam.	ranges (bar)	dimensions (mm)									wet weight (kg)
		d	a	b	D1	D2	e	G	h ± 2	SW	
100	≤ 0.25	160	15.5	49.5	101	99	17.5	G1/2	135	27	2.6
160			15.5	49.5	161	159	17.5	G1/2	165	27	3.0
100	> 0.25	100	15.5	49.5	101	99	17.5	G1/2	135	27	1.4
160			15.5	49.5	161	159	17.5	G1/2	165	27	1.8

connection acc. to DIN 16288.

type		422.20	
diam.		100	160
version			
-1200 - 0	mbar	x	x
-1 - 0	bar	8401	8421
-1 + 1.5		8402	8422
-1 + 3		8403	8423
-1 + 5		8404	8424
-1 + 9		8405	8425
-1 + 15		x	x
-1 + 25		x	x
0 - 400		mbar	8419
0 - 0.6	bar	8406	8426
0 - 1		8407	8427
0 - 1.6		8408	8428
0 - 2.5		8409	8429
0 - 4		8410	8430
0 - 6		8411	8431
0 - 10		8412	8432
0 - 16		8413	8433
0 - 25		8414	8434
0 - 40		x	x
0 - 16	mbar	x	x
0 - 25		x	x
0 - 40		8415	8435
0 - 60		8416	8436
0 - 100	mbar	8417	8437
0 - 160		8418	8438
0 - 250		x	x
0 - 400		x	x

Dimensions and technical data according to technical standard of today. Changes which make our products better will be made without proclaiming.