

case with upper diaphragm:

stainless steel with pressure vent in case back  
 - liquid-filled  
 - contacts

bezel:

bayonet, stainless steel

dial:

aluminium, white  
 figures and graduation black  
 - red mark-pointer

pointer:

aluminium, black

window:

laminated safety glass  
 - max. drag-pointer

movement:

stainless steel

pressure element:

<= 0/250 mbar: stainless steel 1.4571  
 > 0/250 mbar: NiCrCo-alloy (Duratherm)

diaphragm sealing ring:

FPM (viton)

connection with lower diaphragm:

stainless steel 1.4571, male thread G<sup>1</sup>/<sub>2</sub>, SW 27 (EN 837-3/7.3)  
 - other threaded pressure connections

measuring range (EN 837-3/5):

0/16mbar ... 0/400 mbar (flange diam. 160mm)  
 0/400 mbar ... 0/40 bar (flange diam. 100mm)  
 or equivalent other units of pressure or vacuum

accuracy (EN 837-3/6):

class 1.6  
 - class 1.0  
 - class 0.6 (diam. 160)

working pressure:

steady: full scale value  
 fluctuating: 0.9 x full scale value

overpressure safety:

5 x full scale value,  
 but max. 40 bar

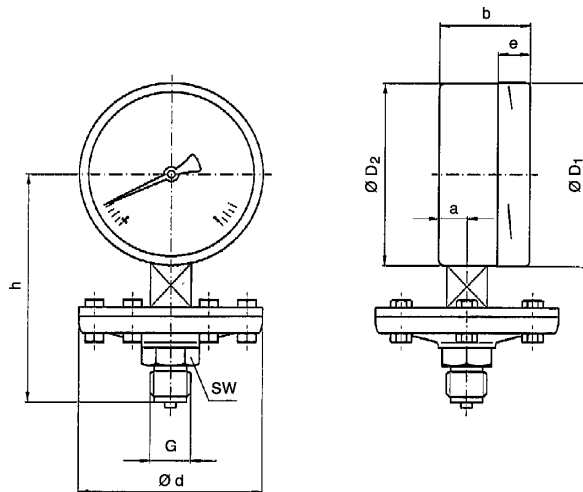
operating temp.:

ambient: TMIN -20°C, TMAX +60°C,  
 medium: TMAX +100°C  
 - medium: TMAX +200°C  
 - OPTIONS



**dimensions**

standard version



diam.	ranges (bar)	dimensions (mm)									net weight (kg)
		d	a	b	D1	D2	e	G	h ± 2	SW	
100	<= 0.25	160	15.5	49.5	101	99	17.5	G 1/2	135	27	2.6
160			15.5	49.5	161	159	17.5	G 1/2	165	27	3.0
100	> 0.25	100	15.5	49.5	101	99	17.5	G 1/2	135	27	1.4
160			15.5	49.5	161	159	17.5	G 1/2	165	27	1.8

connection acc. to DIN 16288.

type		432.50	
diam.		100	160
version			
-1200 - 0	mbar	x	x
-1 - 0	bar	8500	8520
-1 + 1.5		8501	8521
-1 + 3		8502	8522
-1 + 5		8503	8523
-1 + 9		8504	8524
-1 + 15		x	x
-1 + 25		x	x
0 - 400		mbar	8534
0 - 0.6	bar	8505	8525
0 - 1		8506	8526
0 - 1.6		8507	8527
0 - 2.5		8508	8528
0 - 4		8509	8529
0 - 6		8510	8530
0 - 10		8511	8531
0 - 16		8512	8532
0 - 25		8513	8533
0 - 40		x	x
0 - 16	mbar	x	x
0 - 25		x	x
0 - 40		8620	8630
0 - 60		8621	8631
0 - 100	mbar	8622	8632
0 - 160		8623	8633
0 - 250		8624	8634
0 - 400		x	x

Dimensions and technical data according to technical standard of today. Changes which make our products better will be made without proclaiming.