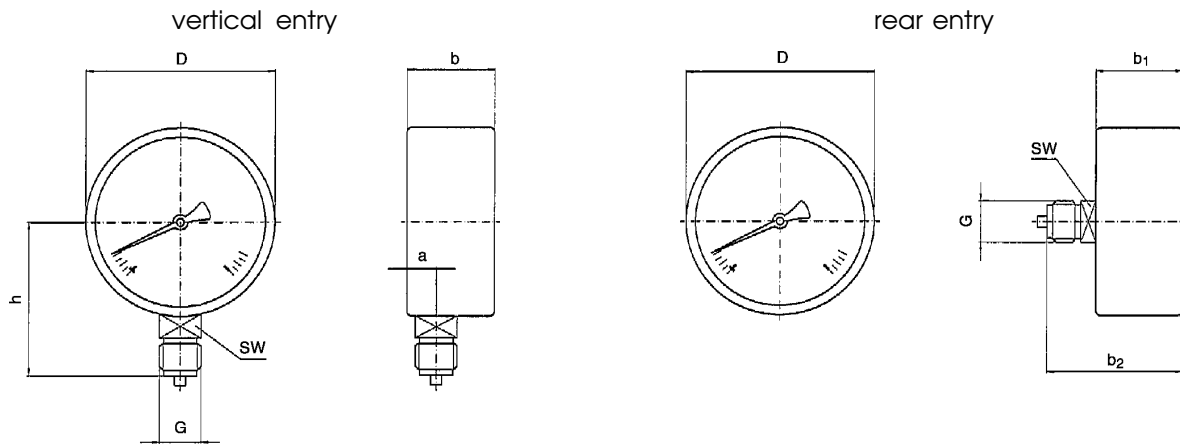


case:	steel, black - surface mounting flange (diam. 63)
bezel:	without - slip on bezel ring - panel mounting flange
dial:	aluminium, white figures and graduation black
zero adjustment:	through window
pointer:	aluminium, black
window:	domed snap-fit window of clear plastic
movement:	Cu-alloy
pressure element:	Cu-alloy
connection:	Cu-alloy, vertical and rear entry (diam. 50 only rear entry) G1/4, SW 14 (EN 837-1/7.3)
measuring range (EN 837-1/5):	0/60mbar ... 0/600mbar (diam. 50) 0/25mbar ... 0/600mbar (diam. 63) or equivalent other units of pressure or vacuum
accuracy (EN 837-1/6):	class 1.6
working pressure:	steady: full scale value fluctuating: 0.9 x full scale value - overpressure and vacuum safety (diam. 63)
operating temp.:	ambient: TMIN -20°C, TMAX +60°C, medium: TMAX +100°C - OPTIONS



dimensions

standard version



diam.	dimensions (mm)								net weight (kg)
	a	b1	b2	b	D	G	h ± 1	SW	
50	-	-	28	47	50	G 1/4	-	14	0.09
63	9.5	40	36.5	54.5	63	G 1/4	51	14	0.20

connection acc. to DIN 16 288.

type	611.10			
diam.	50		63	
version				
overpressure safety	without			10 x
-400 - 0	x	9358	x	x
-250 - 0	x	x	x	x
-160 - 0	x	9300	x	x
-100 - 0	x	9301	x	x
- 60 - 0	x	9302	x	x
- 40 - 0	-	x	x	x
- 25 - 0	-	x	x	-
- 16 - 0	-	-	-	-
- 10 - 0	-	-	-	-
- 6 - 0	-	-	-	-
-25 +15	-	x	x	x
-40 +20	x	x	x	x
other ranges	x	x	x	x
0 - 6	-	-	-	-
0 - 10	-	-	-	-
0 - 16	-	-	-	-
0 - 25	-	x	x	-
0 - 40	-	9304	9310	9390
0 - 60	x	9305	9311	9391
0 - 100	x	9306	9312	9392
0 - 160	x	9307	9313	9393
0 - 250	x	9308	9314	9394
0 - 400	x	9309	9315	x
0 - 600	x	x	x	x

Dimensions and technical data according to technical standard of today. Changes which make our products better will be made without proclaiming.