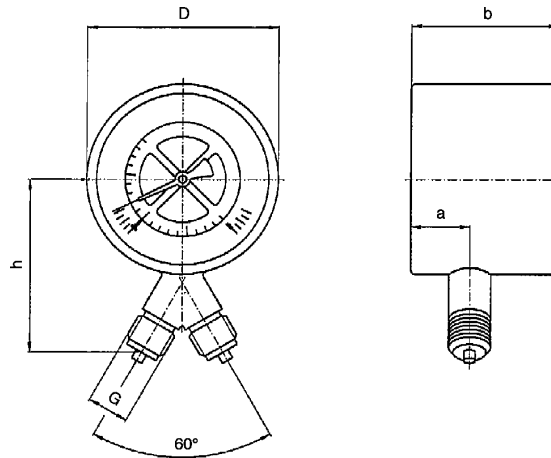


case:	steel, black - surface mounting flange - contacts (diam. 160)
bezel:	slip-on ring steel, black - panel mounting flange
dial:	aluminium, white figures and graduation black
pointer:	1 pointer: aluminium, black 1 graduated disk indicator: aluminium, white scale +/- 50% of main scale range
window:	instrument glass - red mark-pointer
movement:	Cu-alloy, wear parts argentan
pressure element:	Cu-alloy
connection:	Cu-alloy, 2 x G1/2 indicated with (+) and (-)
design:	2 independant bourdon tube pressure elements, pressure entry by integral Vee-stem.
measuring range (EN 837-1/5):	0/0.6 bar ... 0/60 bar Scale ranges must be selected in consideration of the highest static pressure applied. The pressure differential to be indicated should be no less than 1/6 of the full scale range.
accuracy (EN 837-1/6):	class 1.6
working pressure:	steady: $\frac{3}{4}$ x full scale value fluctuating: $\frac{2}{3}$ x full scale value short time: full scale value
operating temp.:	ambient: TMIN -25°C, TMAX +60°C, medium: TMAX +60°C - OPTIONS



dimensions

standard version



diam.	dimensions (mm)					net weight (kg)
	a	b	D	G	h ± 1	
100	31.5	82	100	G 1/2	91	1.00
160	31.5	86.5	160	G 1/2	120	1.60

connection acc. to DIN 16288.

type	711.11	
diam.	100	160
version		
0-0.6	x	x
0-1	8951	8961
0-1.6	8952	8962
0-2.5	8953	8963
0-4	8954	8964
0-6	8955	8965
0-10	8956	8966
0-16	x	x
0-25	x	x
0-40	x	x
0-60	x	x
0-100	-	-
0-160	-	-
0-250	-	-
0-400	-	-
0-600	-	-

Dimensions and technical data according to technical standard of today. Changes which make our products better will be made without proclaiming.