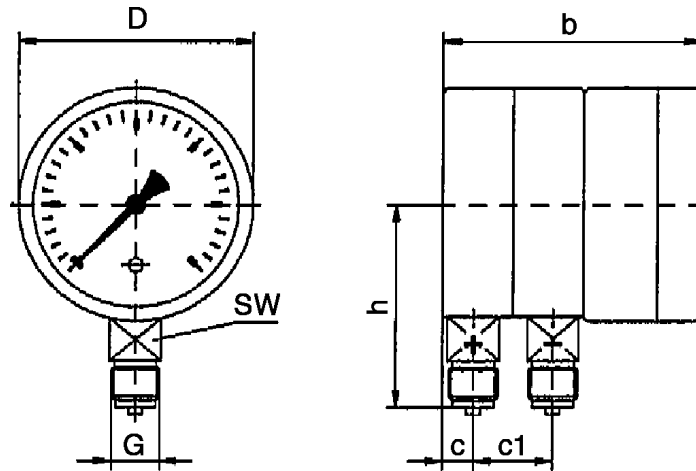


case:	stainless steel - surface mounting flange - contacts
bezel:	stainless steel - panel mounting flange
dial:	aluminium, white figures and graduation black (EN 837-1) - red mark-pointer
pointer:	aluminium, black
window:	instrument glass - safety glass - max. drag-pointer
zero adjustment:	adjust-screw in dial
movement:	brass, wear parts argentan
pressure element:	diaphragm element of stainless steel 1.4571, diaphragm material nitrile rubber with polyamide fabric, aluminium pressure chambers (AlCuMgPb), with venting
connection:	brass, 2 x G1/2 male thread SW 22 (EN 837-1) indicated with (+) and (-) parallel one behind the other
measuring range (EN 837-3/5):	0 / 100 mbar ... 0 / 400 mbar 0 / 0.6 bar ... 0 / 25 bar or equivalent other units of pressure or vacuum
accuracy (EN 837-3/6):	class 1.6 or 2.5
working pressure:	steady: full scale value fluctuating: 0.9 x full scale value
operating temp.:	ambient: TMIN -25°C, TMAX +60°C, medium: TMAX +100°C
overpressure safety:	(+) and (-) side max. 25 bar - OPTIONS
special versions:	process industry series complete in stainless steel



dimensions
 standard version



diam.	b	c	c1	D	G	c	SW	net weight (kg)
100	112	13	34	100.8	G 1/2	87	22	1.5
160				161.3				1.7

connection acc. to DIN 16 288.

type	711.13	
diam.	100	160
version		
0 ... 100	8926	8942
0 ... 160	8927	8943
0 ... 250	8928	8944
0 ... 400	8929	8945
0 ... 0.6	8930	8946
0 ... 1	8931	8947
0 ... 1.6	8932	8948
0 ... 2.5	8933	8949
0 ... 4	8934	8950
0 ... 6	8935	8940
0 ... 10	8936	8941

Dimensions and technical data according to technical standard of today. Changes which make our products better will be made without proclaiming.