

Case: Steel zinced

Bezel: Steel nickel-plated

Dial: Plastic, white
with raised edge
lettering and graduation black
- Imprint
- Double scale °C/°F



Pointer: Plastic, black
adjustable at end of stem

Window: Plastic

Stem: G 1/2 B brass, detachable, with fixing screw
L = 40 / 60 / 100 mm solid A/F 21
L = 150 mm multi-part, soft soldered
- Plug-in version

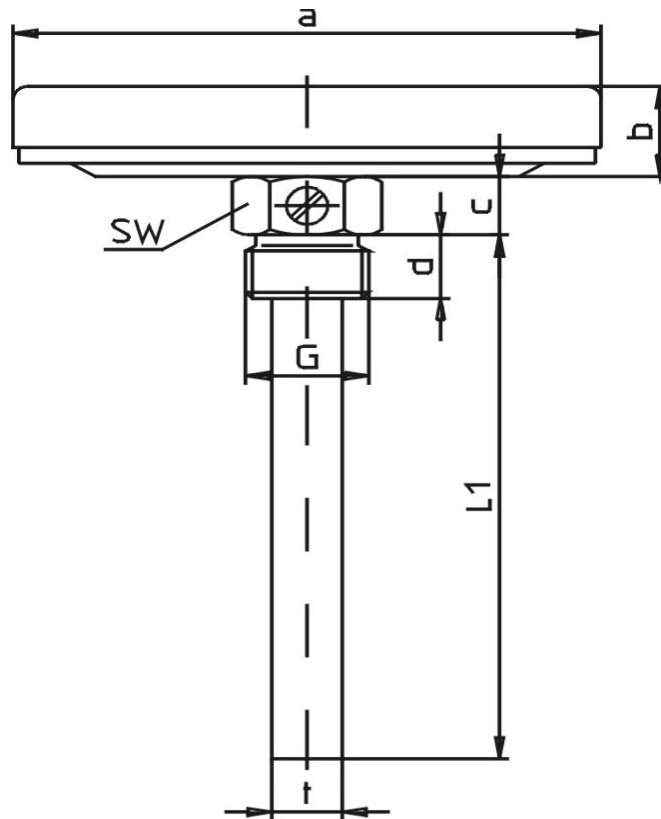
Connection: Backwards

Accuracy class: 2.5

- OPTIONS

	Measuring range:	0-120°C				-20+60 / -10+50 / 0+60°C		
		Article number:						
	Diam.	63	80	100	160	63	80	100
Stem	40 mm	903	906	909	912	923	926	929
Stem	60 mm	904	907	910	913	924	927	930
Stem	100 mm	905	908	911	914	925	928	931
Stem	150 mm	915	916	917	918	935	936	937

Please quote the measuring range!



Type	a	b	c	d	t	SW	G
903	63	12	7	12	12	21	1/2 B
906	80	14	7	12	12	21	1/2 B
909	100	15	7	12	12	21	1/2 B
912	160	17	7	12	12	21	1/2 B

Masses and dimensions are conform to current company standard. Changes to improve our gauges will be made without preannouncement.