

Case: Steel, nickel-plated, diam. 34 mm

Bezel: Steel nickel-plated

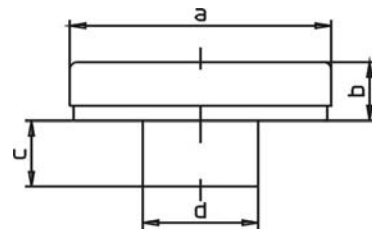
Dial: Aluminium, white varnished  
lettering and graduation black  
- Imprint



Pointer: Aluminium, black

Window: Plastic

Stem: At the back of the case



Mounting method: Plug-in version diam. 15 mm, brass nickel-plated

Connection: Backwards

a	b	c	d
34	8	9	15

Accuracy class: 2

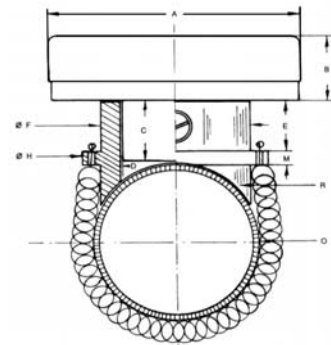
**-OPTIONS**

Measuring range: 0+50°C                      0+80°C

Article number:                      700                      701

Accessories: Holder made of brass  
with spiral spring  
for pipes with 22 mm outer Ø  
-without thermometer-

Article number: 730



Accessories: Screw connection made of brass  
G 3/4 union nut and G 3/4 male thread  
with socket for the thermometer

Article number: 731



Masses and dimensions are conform to current company standard. Changes to improve our gauges will be made without preannouncement.