



- Case:** Stainless steel, 1.4301
 - Steel zinced
 - Steel zinced and varnished
 - Bayonet-fitted SS 1.4301 (without diam. 50)
- Bezel:** Stainless steel 1.4301
 - Diam. 80 and 100 with rim ring IP 44
 - Steel nickel-plated
- Dial:** Aluminium, white varnished
 lettering and graduation black
 - Red mark
 - Imprint
 - Double scale °C/°F
- Pointer:** Aluminium, black
 - Silicone damped
- Window:** Instrument glass
 - Safety glass (without diam. 50)
 - Max. drag pointer (without diam. 50)
 - Max./min. drag pointer (without diam. 50)
 - Red mark pointer (without diam. 50)
- Distance ring:** Internal
 up to 120°C cellular rubber
 from 160°C on aluminium, diam. 80 ALU only
- Stem:** With tip for insertion
- Connection:** Backwards
- Measuring range:** 0-120°C
 - Resp. opposite
- Accuracy class:** 2
 - Accuracy class 1
 - Works test certificate
 - OPTIONS

Version: Stem Ø 9 made of brass with tip
 Article number:

	Diam.	50	63	80	100
Stem	100 mm	1751-2	1761-2	1781-2	1801-2
Stem	200 mm	1752-2	1762-2	1782-2	1802-2
Stem	300 mm	1753-2	1763-2	1783-2	1803-2

Accessories: - Handle made of stainless steel movable on stem

Version: Stem Ø 12 made of brass with tip
 Article number:

	Diam.	63	80	100
Stem	800 mm	1760-3	1780-3	1800-3
Stem	1.000 mm	1761-3	1781-3	1801-3
Stem	1.200 mm	1762-3	1782-3	1802-3

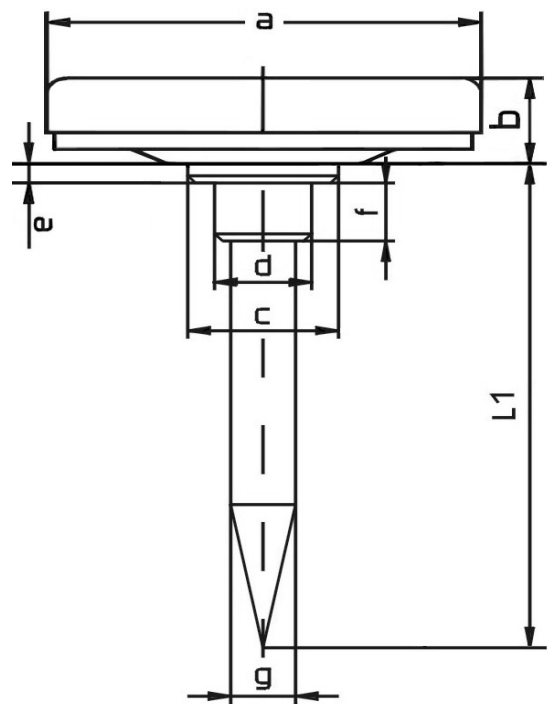
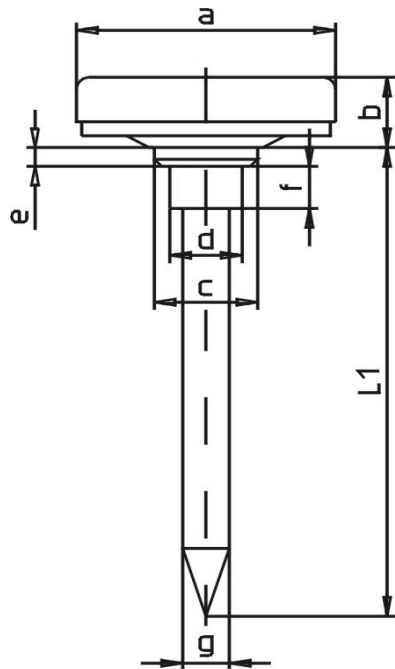
Meas. range	Graduation
-40+40°C	1.0
-30+50°C	
-20+60°C	
-20+40°C	
-15+45°C	
-10+60°C	
-10+50°C	
0+40°C	
0+50°C	
0+60°C	
0+80°C	2.0
0+100°C	
0+120°C	
0+160°C	
0+200°C	
0+250°C	5.0
0+300°C	
0+400°C	10.0
0+500°C *	
0+600°C *	

Accessories: - Handle made of stainless steel movable on stem

*Stem stainless steel needed !

Other lengths are available !
 Important advice:

The gauges are NOT watertight and thus they are NOT suitable for permanent outdoor use. Guarantee voids whenever water to be found in case.



Type	a	b	c	d	e	f	g
1750-2	50	9	20	14	4	14	9
1760-2	63	13	20	14	4	14	9
1780-2	80	13	20	14	4	14	9
1800-2	100	15	20	14	4	14	9

Type	a	b	c	d	e	f	g
1760-3	63	13	28	14	4	14	12
1780-3	80	13	28	14	4	14	12
1800-3	100	15	28	14	4	14	12

Masses and dimensions are conform to current company standard. Changes to improve our gauges will be made without preannouncement.