

Case: Steel zined  
- Varnished  
- Stainless steel 1.4301

Bezel: Steel nickel-plated  
- Stainless steel 1.4301

Dial: Aluminium, white varnished  
lettering and graduation black  
from 500°C blank aluminium  
- With colour field  
- Red mark  
- Imprint  
- Double scale °C/°F



Pointer: Aluminium, black  
adjustable at end of stem  
- Silicone damped

Window: Instrument glass  
- Safety glass (without diam. 50)  
- Max. drag pointer (without diam. 50)  
- Max./min. drag pointer (without diam. 50)  
- Red mark pointer (without diam. 50)

Distance ring: Internal made of aluminium

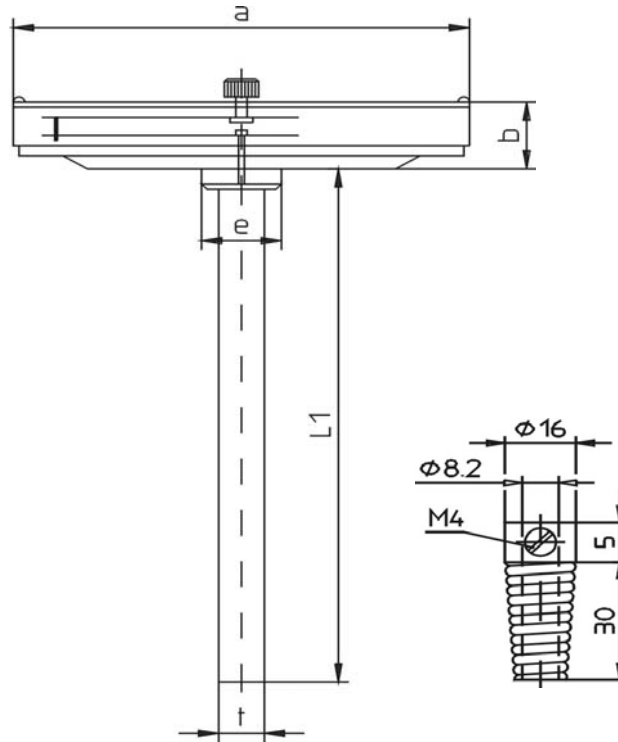
Stem: L = 200 x Ø 8 mm made of stainless steel 1.4571  
- Ø 6 mm

Mounting method: conical thread A/F 13 made of brass  
with fixing screw  
- anular magnet below case  
incl. colour fields and max. drag pointer

Connection: Backwards

Accuracy class: 2  
- Accuracy class 1  
- Works test certificate  
- OPTIONS

Measuring range: Diam.	Article number:			
	50	63	80	100
0-250°C	1851	1861	1881	1901
0-300°C	1852	1862	1882	1902
0-400°C	1853	1863	1883	1903
0-500°C	1854	1864	1884	1904



Type	a	b	e	t
1850	50	12	14	8
1860	63	13	14	8
1880	80	13	14	8
1900	100	15	14	8

Masses and dimensions are conform to current company standard. Changes to improve our gauges will be made without preannouncement.