

Case:	Bayonet, stainless steel AISI 304 - Surface mounting flange - Liquid filled - Contacts
Bezel:	Bayonet, stainless steel AISI 304 - Panel mounting flange
Protection class:	IP 54 per EN 60529 / IEC 529
Dial:	Aluminium, white varnished lettering and graduation black
Pointer:	Knife edge pointer Aluminium, black
Window:	Instrument glass - Laminated safety glass
Movement:	CU-alloy, wear parts argentan
Pressure element:	<= 40 bar CuSn8 - 2.1030 >= 40 bar stainless steel AISI 316 L
Connection:	CU-Alloy, male thread (EN 837-1/7.3) vertical or lower back entry G 1/2, SW 22 - Stainless steel AISI 316 L
Measuring range: (EN 837-1/5)	0/0,6 bar ... 0/1600 bar -1,0 bar -0 bar ... -1,0 bar /+24 bar
Accuracy: (EN 837-1/6)	Class 0,6
Working pressure:	Steady: full scale value Fluctuating: 0,9 x full scale value Short time: 1,3 x full scale value
Operating temp.:	Ambient: TMIN -40°C, TMAX +60°C Medium: TMAX +60°C
	- OPTIONS
Special:	Type 332.30 Safety version with solid baffle wall and blow-out back (only connection vertical)

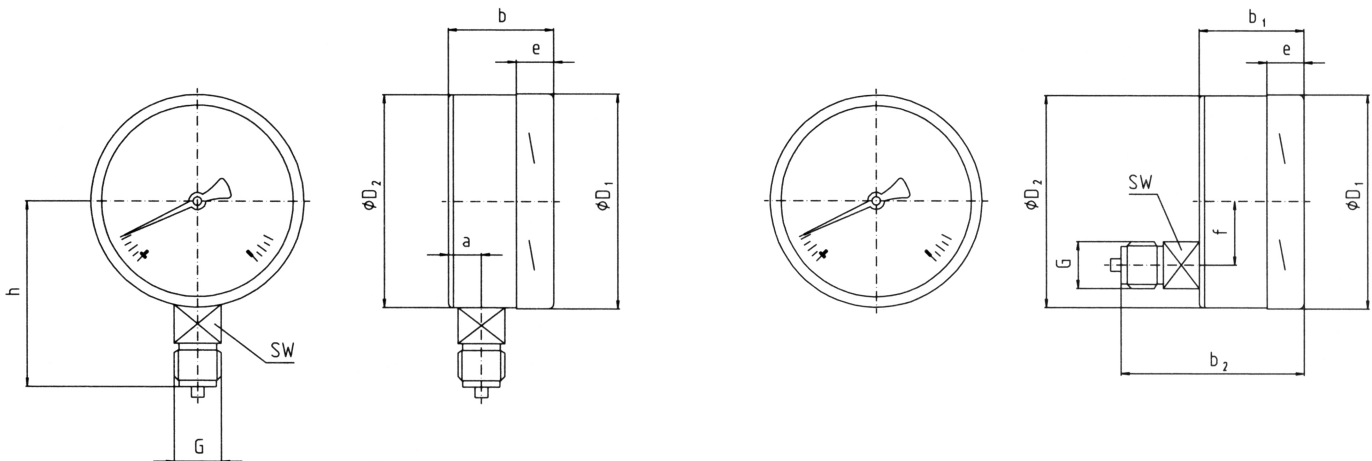


Picture shows an instrument with max. drag pointer

Dimensions
standard version

connection
vertical entry

connection
lower back entry



diam.	dimensions [mm]											weight [kg]
	a	b	b1	b2	D1	D2	e	f	G	h ± 1	SW	
160	15	51	51	86	161	160	17,5	50	½ B	118	22	1,0

Connection acc. to EN 837-1/7.3

type		312.20			
diam.		160			
version					
-1-0	bar	9401 1)	x 1)	x 1)	
-1+0,6		9402 1)	x 1)	x 1)	
-1+1,5		9403 1)	x 1)	x 1)	
-1+3		9404	x	x	
-1+5		9405	x	x	
-1+9		9406	x	x	
-1+15		9423	x	x	
-1+24		x	x	x	
0-0,6		bar	9407 1)	x 1)	x 1)
0-1	9408 1)		x 1)	x 1)	
0-1,6	9409 1)		x 1)	9424 1)	
0-2,5	9410 1)		x 1)	9425 1)	
0-4	9411		x	x	
0-6	bar		9412	x	9426
0-10			9413	x	9427
0-16			9414	x	9428
0-25			9415	x	9429
0-40	9416	x	x		
0-60	bar	9417	x	x	
0-100		9418	x	9430	
0-160		9419	x	9431	
0-250		9420	x	9432	
0-400		9421	x	9433	
0-600	9422	x	x		
0-1000	bar	x	x	x	
0-1600		x	x	x	

1) only without filling

Dimensions and technical data are conform to current company standard.
Changes to improve our instruments will be made without preannouncement.