



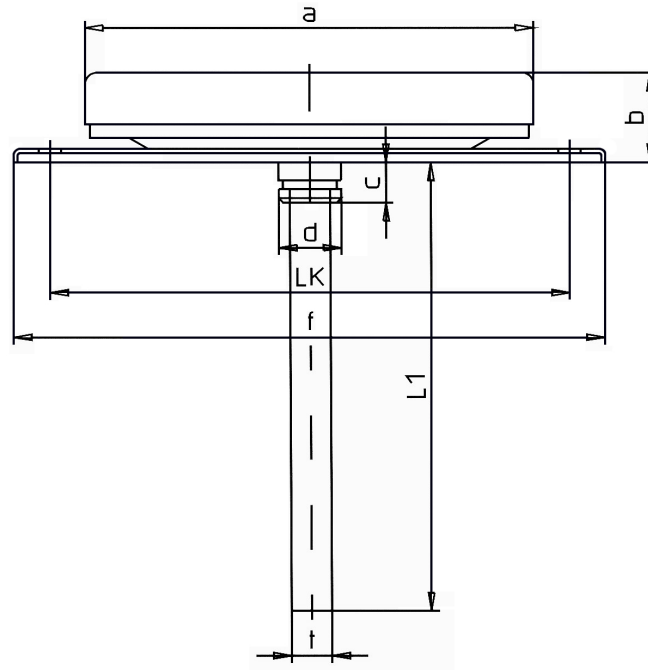
Case:	Steel zincod - Diam. 100 stainless steel AISI 304
Bezel:	Steel nickel plated - Diam. 100 stainless steel AISI 304
Protection class:	IP 43
Dial:	Aluminium, white varnished lettering and graduation black - Red mark - Imprint - Double scale °C/°F
Pointer:	Aluminium, black adjustable at end of stem - Silicone damped
Window:	Instrument glass - Perspex window - Laminated safety glass - Max. drag pointer - Max./Min. drag pointer - Red mark pointer
Stem:	Brass Ø 9 mm - Stainless steel AISI 316 Ti
Mounting method:	With back flange heavy version, flattened design for surface mounting on air duct - Diam. 100 stainless steel, round design - With front flange chromed, for panel mounting
Connection:	Backwards
Measuring range:	0-120°C - Resp. opposite
Accuracy class:	2 - Accuracy class 1 - Works test certificate - OPTIONS

		Article number:			
Diam.:	mm	63	80	100	160
Stem	50 mm	1461	1481	1501	1561
Stem	100 mm	1462	1482	1502	1562
Stem	150 mm	1463	1483	1503	1563
Stem	200 mm	1464	1484	1504	1564
Stem	250 mm	1465	1485	1505	1565

Measuring-range	Graduation
-40 +40°C	1°
-30 +50°C	
-20 +60°C	
-20 +40°C	
-15 +45°C	
-10 +60°C	
-10 +50°C	
0 -40°C	
0 -50°C	
0 -60°C	
0 -80°C	2°
0 -100°C	
0 -120°C	
0 -160°C	
0 -200°C	
0 -250°C	5°
0 -300°C	
0 -400°C	10°
1) 0 -500°C	
1) 0 -600°C	

1) stem stainless steel needed

Other lengths are available!



Type	a	b	c	d	f	LK	t
1460	63	17	7	14	85	76	9
1480	80	21	7	14	110	95	9
1500	100	22	7	14	132	116	9
1560	160	23	7	14	190	182	9

Dimensions and technical data are conform to current company standard.
 Changes to improve our instruments will be made without preannouncement.