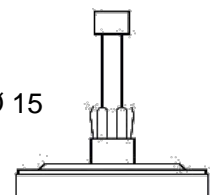
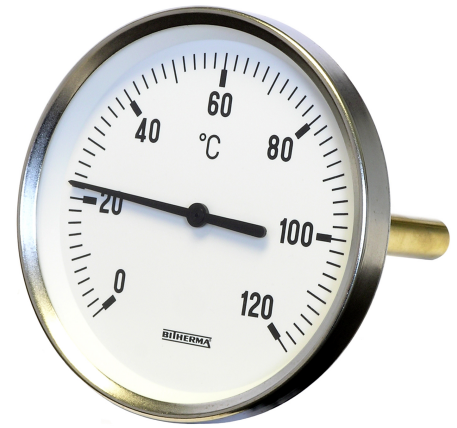
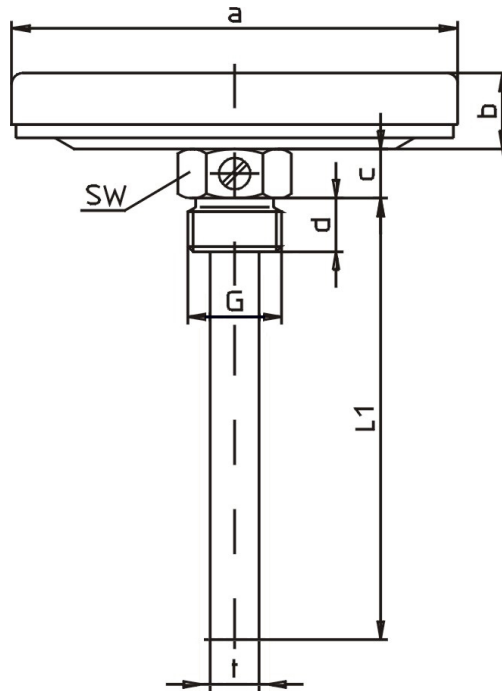


Case:	Steel zinced		
Bezel:	Steel nickel plated		
Protection class:	IP 34		
Dial:	Plastic, white with raised edge lettering and graduation black - Imprint - Double scale °C/°F		
Pointer:	Plastic, black adjustable at end of stem - Aluminium, black		
Window:	Plastic - Instrument glass		
Stem:	G 1/2 B brass detachable with fixing screw L = 40 / 63 / 100 mm solid A/F 21 other lengths multi part soft soldered A/F 21 - Plug in version		
Connection:	Backwards		
Accuracy class:	2		
	- OPTIONS		
Measuring range:	0-120°C		
	Article number:		
Diam.: mm	63	80	100
Stem 40 mm	903	906	909
Stem 63 mm	904	907	910
Stem 100 mm	905	908	911
Stem 150 mm	915	916	917
Measuring range:	-20+60°C / -10+50°C / 0-60°C		Please quote the measuring range by order!
	Article number:		
Diam.: mm	63	80	100
Stem 40 mm	923	926	929
Stem 63 mm	924	927	930
Stem 100 mm	925	928	931
Stem 150 mm	935	936	937
Messbereich:	-30+50°C / -20+60°C / 0-120°C		Please quote the measuring range by order!
	Article number:		
Diam.: mm	63	80	100
Stem 50 mm	940	944	948
Stem 75 mm	941	945	949
Stem 100 mm	942	946	950
Stem 150 mm	943	947	951
Other lengths are available!	Special version: Stem with measuring-pot Ø 15 and plug-in socket.		





Type	a	b	c	d	SW	G	t
903	63	12	7	12	21	½ B	12
906	80	14	7	12	21	½ B	12
909	100	15	7	12	21	½ B	12

Dimensions and technical data are conform to current company standard.
 Changes to improve our instruments will be made without preannouncement.