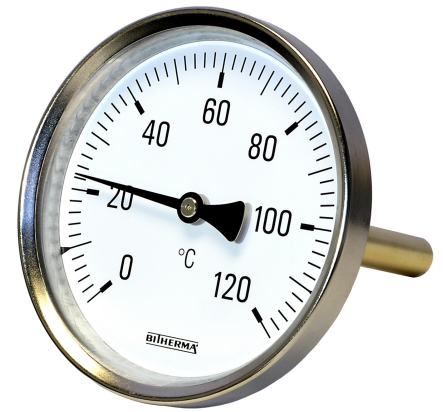
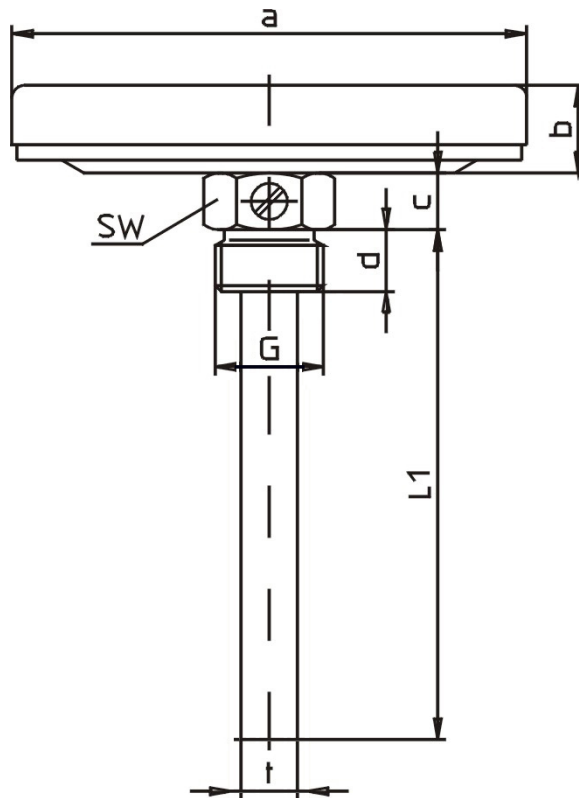


Case:	Steel zinced
Bezel:	Steel nickel plated
Protection class:	IP 43
Dial:	Aluminium, white varnished lettering and graduation black - Red mark - Imprint - Double scale °C/°F
Pointer:	Aluminium, black adjustable at end of stem - Silicone damped
Window:	Instrument glass
Stem:	G 1/2 B brass detachable with fixing screw L = 28 / 45 / 50 / 63 / 100 mm solid A/F 21 other lengths multi part soldered A/F 21 - Stainless steel welded
Connection:	Backwards
Measuring range:	- Resp. see below
Accuracy class:	2 - OPTIONS



Measuring range:	0-120°C	-30+50°C / -20+60°C / -20+40°C -10+50°C / 0-60°C / 0-80°C / 0-100°C Please quote the measuring range by order!							
	Article number:	63	80	100	160	63	80	100	160
Diam.:	mm								
Stem	28 mm	1060	1080	1100	1160	-	-	-	-
	45 mm	1061	1081	1101	1161	11061	11081	11101	11161
	50 mm	1062	1082	1102	1162	11062	11082	11102	11162
	63 mm	1063	1083	1103	1163	11063	11083	11103	11163
	80 mm	1064	1084	1104	1164	11064	11084	11104	11164
	100 mm	1065	1085	1105	1165	11065	11085	11105	11165
	120 mm	1066	1086	1106	1166	11066	11086	11106	11166
	160 mm	1067	1087	1107	1167	11067	11087	11107	11167
	200 mm	1068	1088	1108	1168	11068	11088	11108	11168
	250 mm	1069	1089	1109	1169	11069	11089	11109	11169

Stem 28 mm only 0-100 and 0-120°C available!
Maximum stem length is 400 mm!



Type	a	b	c	d	SW	G	t
1060	63	13	11	12	21	½ B	12
1080	80	13	11	12	21	½ B	12
1100	100	15	11	12	21	½ B	12
1160	160	19	11	12	21	½ B	12

Dimensions and technical data are conform to current company standard.
 Changes to improve our instruments will be made without preannouncement.