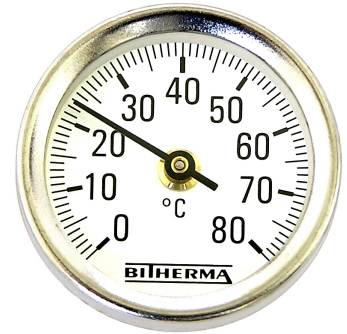
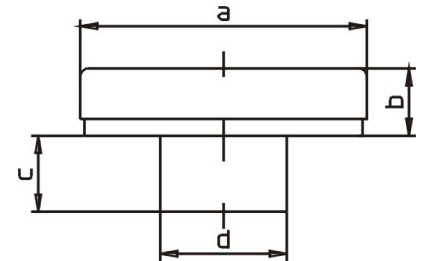


Case: Diam. 34 mm, steel nickel plated  
 Bezel: Steel nickel plated  
 Protection class: IP 44  
 Dial: Aluminium, white varnished  
 lettering and graduation black  
 - Imprint  
 Pointer: Aluminium, black  
 Window: Instrument glass  
 Mounting method: Plug-in version, diam. 15 mm, brass nickel plated  
 Connection: Backwards  
 Accuracy class: 2



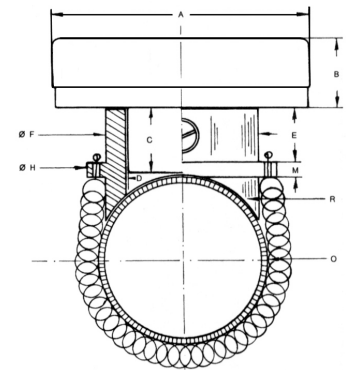
**- OPTIONS**

Measuring range:	0-80°C	0-50°C
Article number:	701	700



a	b	c	d
34	8	9	15

Accessories: Holder made of brass  
 with spiral spring and fixing screw  
 for pipes with 22 mm outer diam.  
 - without thermometer -  
 Article number: 730



Accessories: Screw connection made of brass  
 G 3/4 union nut and G 3/4 male thread  
 with socket for the thermometer  
 Article number: 731

