
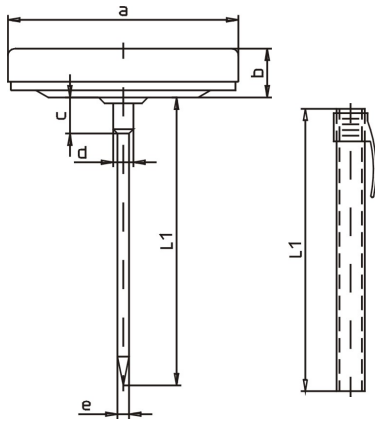
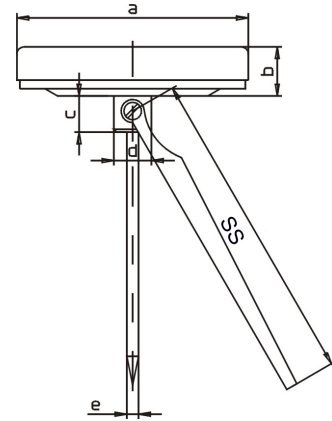


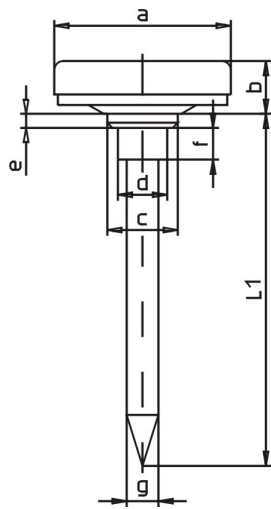
Case:	Stainless steel AISI 304 - Steel zincod							
Bezel:	Stainless steel AISI 304 - Steel nickel plated							
Protection class:	IP 43							
Dial:	Aluminium, white varnished lettering and graduation black							
Pointer:	Aluminium, black, not adjustable - Silicone damped							
Window:	Instrument glass							
Stem:	With tip for insertion							
Connection:	Backwards							
Measuring range:	0-120°C - Resp. opposite							
Accuracy class:	2 - Accuracy class 1  - Works test certificate  - OPTIONS (others on request)							
Version:	Stem diam. 4 mm made of AISI 316 Ti with tip							
Diam.: mm	34	50	63	80				
stem 100 mm	1732	1752	1762	1782				
stem 200 mm	1734	1754	1764	1784				
stem 300 mm	1736	1756	1766	1786				
Accessories:	- PVC stem protection with clip							
Version:	Stem diam. 4 mm made of AISI 316 Ti with tip and foldable handle							
Diam.: mm	34	50	63					
stem 100 mm	1732-1	1752-1	1762-1					
stem 200 mm	1734-1	1754-1	1764-1					
stem 300 mm	1736-1	1756-1	1766-1					
Version:	Stem diam. 9 mm made of brass with tip, case steel zincod				Measuring-range	Graduation		
Diam.: mm	50	63	80	100				
stem 100 mm	1752-2	1762-2	1782-2	1802-2			-40 +40°C	1°
stem 200 mm	1754-2	1764-2	1784-2	1804-2			-30 +50°C	
stem 300 mm	1756-2	1766-2	1786-2	1806-2	-20 +60°C			
					0 -40°C			
Version:	Stem diam. 12 mm made of brass with tip, case steel zincod				Measuring-range	Graduation		
Diam.: mm	63	80	100					
stem 750 mm	1762-3	1782-3	1802-3				0 -100°C	2°
stem 1.000 mm	1764-3	1784-3	1804-3				0 -120°C	
stem 1.250 mm	1766-3	1786-3	1806-3		0 -160°C	5°		
							0 -200°C	
Other lengths are available!	Advice: The gauges are NOT watertight and thus they are NOT suitable for permanent outdoor use.				0 -250°C	10°		
					0 -300°C			
					0 -400°C			



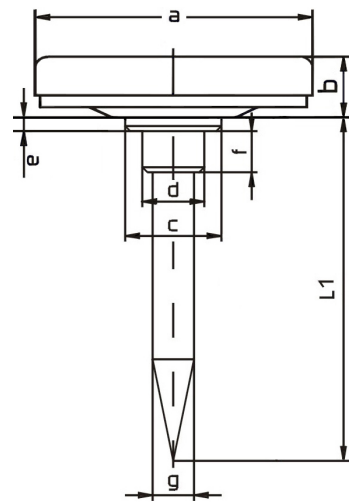
Type	a	b	c	d	e
1730	34	9	12,5	7	4
1750	50	12	12,5	7	4
1760	63	13	12,5	7	4
1780	80	13	12,5	7	4



Type	a	b	c	d	e	SS
1730-1	34	9	10	13	4	110
1750-1	50	12	10	13	4	110
1760-1	63	13	10	13	4	110



Type	a	b	c	d	e	f	g
1750-2	50	12	20	14	2	10	9
1760-2	63	13	20	14	2	10	9
1780-2	80	13	20	14	2	10	9
1800-2	100	15	20	14	2	10	9



Type	a	b	c	d	e	f	g
1760-3	63	13	20	14	2	10	12
1780-3	80	13	20	14	2	10	12
1800-3	100	15	20	14	2	10	12

Dimensions and technical data are conform to current company standard.  
 Changes to improve our instruments will be made without preannouncement.