

Upper section:	Aluminium, brass anodised, 36 mm wide - Aluminium, blank anodised
Figures:	Beneath an anodic coating
Joint to measuring stem:	Thread M 18 x 1,5 with locknut
Measuring stem:	G 1/2 A brass - Further threads on request - Special brass SoMs76 (resistant to seawater) - Steel - Stainless steel AISI 316 Ti
Connection:	Form B - immersion tube with threaded socket - Form C - union nut
Glass tube:	Elastic mounted, graduation acid-proof
Accuracy class:	1
Filling:	Alcohol blue - Alcohol red
Capillary form:	Prismatic or round



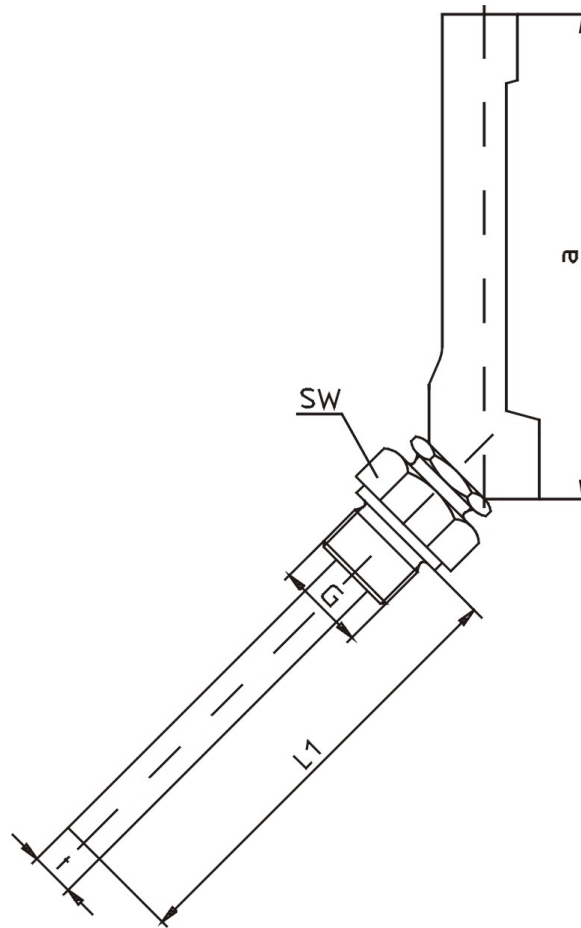
Version: **ANGLE 135° back entry**

Stem Ø 10 mm	Length: [ mm ]						
	40	63	75	100	120	160	200
Measuring range:	Article number:						
-30 +50°C	4201	4202	4203	4204	4205	4206	4207
-10 +50°C	4211	4212	4213	4214	4215	4216	4217
0 -50°C	4221	4222	4223	4224	4225	4226	4227
0 -60°C	4231	4232	4233	4234	4235	4236	4237
0 -100°C	4241	4242	4243	4244	4245	4246	4247
0 -120°C	4251	4252	4253	4254	4255	4256	4257
0 -160°C	4261	4262	4263	4264	4265	4266	4267
0 -200°C	4271	4272	4273	4274	4275	4276	4277
0 -250°C	4281	4282	4283	4284	4285	4286	4287

Double scale:	- °C/°F
	- OPTIONS

Spare parts: Glass tubes  
Immersion tubes

Further measuring ranges and stem lengths on request!



Type	a	SW	G	t
4200	110	27	½ A	10
4500	150	27	½ A	10
4800	200	27	½ A	10

Dimensions and technical data are conform to current company standard.  
 Changes to improve our instruments will be made without preannouncement.